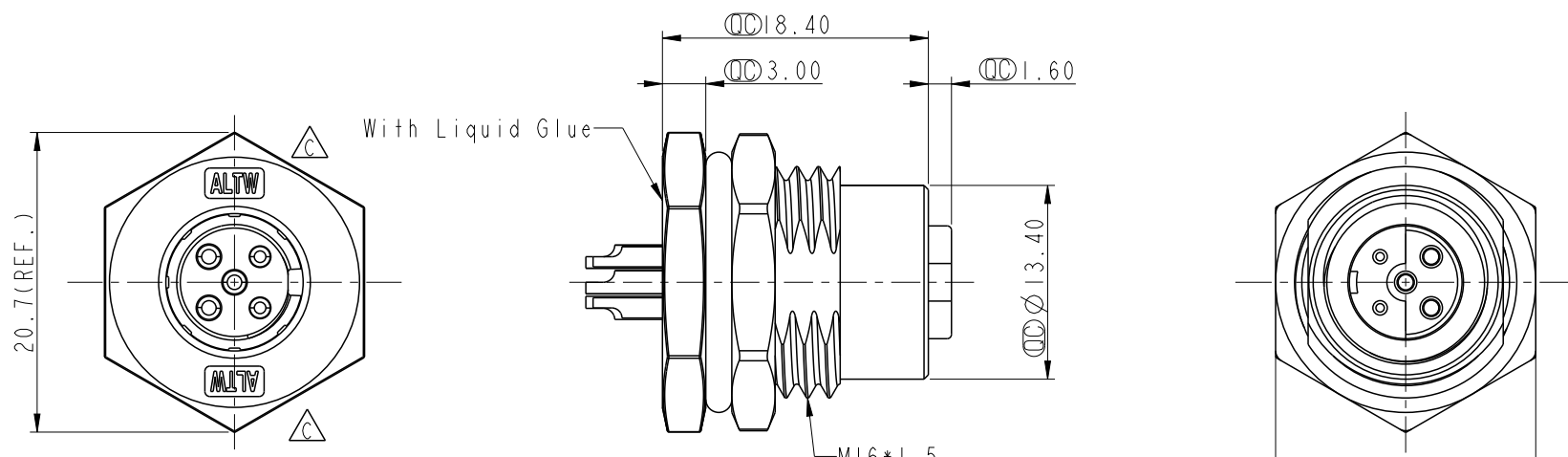
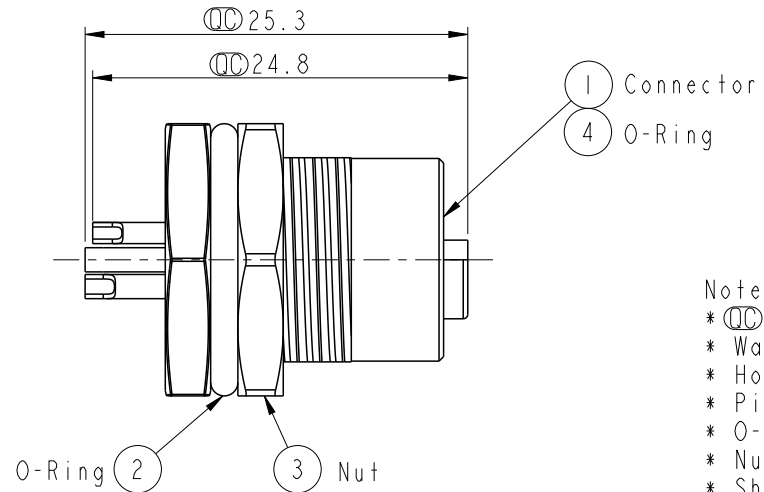


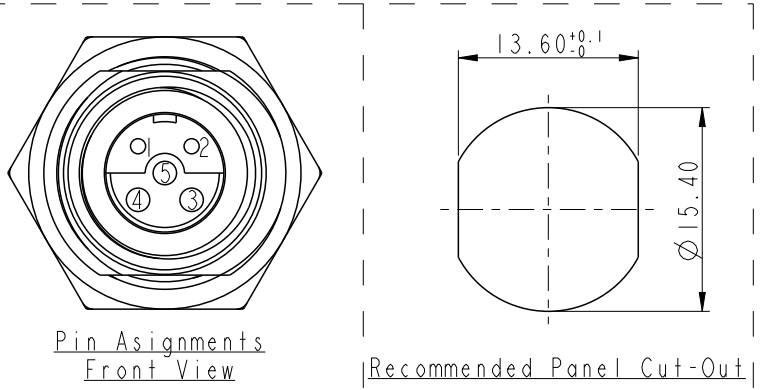
REV.	ECN NO.	DATE	SIGN	DESCRIPTION
C	C190859	2019/05/30	Cynthia	Updated The Logo



**ALTW**  
**CONFIDENTIAL**  
**2019-05-30**  
**R&D DEPT.**



- Note:
- \*  $\varnothing$  Important Dimension.
  - \* Waterproof Rate: IP68
  - \* Housing: Black, Nylon+GF
  - \* Pin: Copper Alloy, Gold Plated
  - \* O-Ring : Black, EPDM
  - \* Nut: Zinc Alloy, Nickel Plated
  - \* Shield: Zinc Alloy, Nickel Plated
  - \* Liquid Glue: Clear
  - \* For Panel Thickness Max 4.5mm
  - \* Nut Torque: 4-6 kgf.cm



UNIT: mm		TITLE M12 Conn Panel Screw 5Pin F Conn C Pin			<b>Amphenol LTW</b> 安費諾亮泰企業股份有限公司	ITEM NO	DRAWN BY	DATE
		TOLERANCE .X ±0.25 .XX ±0.1 .XXX ±0.05 ANGLES ±1°	SCALE 2:1	SIZE A4		SHEET 1 OF 1	DWG NO 12-05PFIS-SF8003	Cynthia
		REV. C	WC-REV. A.3	$\varnothing$ : Inspection item	CUSTOMER ALTW	CHECKED BY Wen	DATE 2019-05-30	DATE 2019-05-30
					APPROVED BY Neo	DATE 2019-05-30		

THIS DOCUMENT IS SUBJECT TO CHANGE WITHOUT NOTICE. IT IS CONFIDENTIAL AND A PROPERTY OF Amphenol LTW. DISCLOSURE TO THIRD PARTY HAS TO BE AUTHORIZED BY Amphenol LTW.