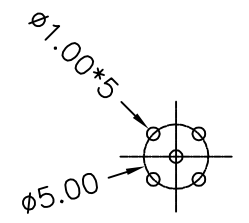
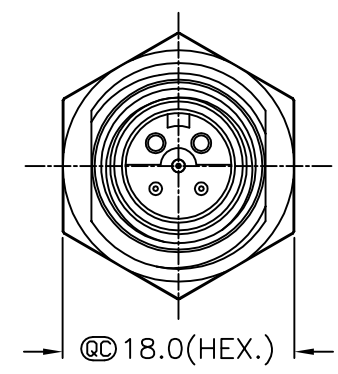
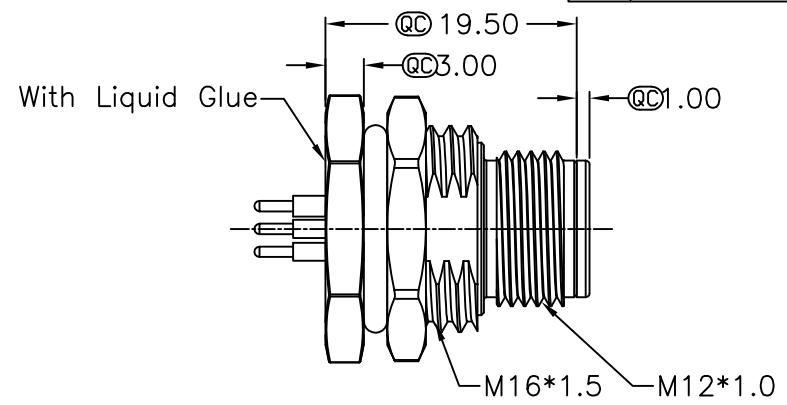
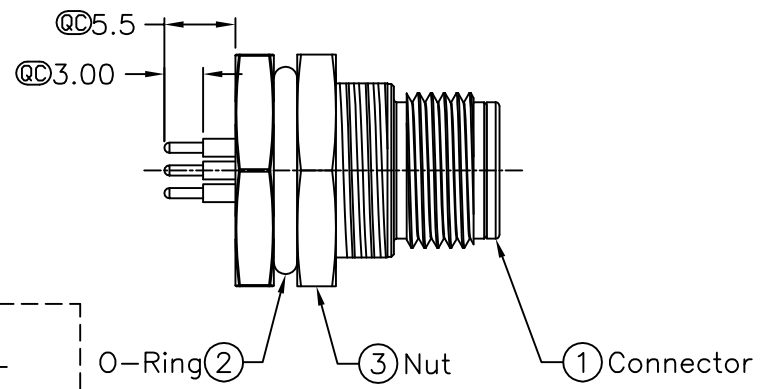


REV	ECN NO.	DATE	SIGN	DESCRIPTION
B	LEN-7A0165	2006/01/12	Zeus	Added Note



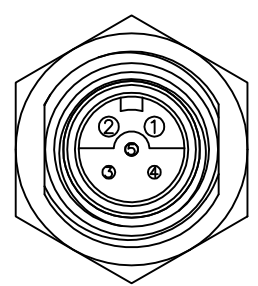
5Pin Male Connector
I Style PCB Layout

ALTW
CONFIDENTIAL
2007.10.01
R&D DEPT.

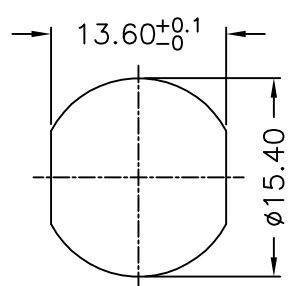


- Note:
- * @C Important Dimension.
 - * Waterproof Rate: IP68
 - * Housing: Black, Nylon+GF
 - * Pin: Copper Alloy, Gold Plated
 - * O-Ring : Black, EPDM
 - * Nut: Zinc Alloy, Nickel Plated
 - * Shield: Zinc Alloy, Nickel Plated
 - * Liquid Glue: Clear
 - * For Panel Thickness Max 4.5mm
 - * Nut Torque: 4-6 kgf.cm

ALTW
DCC. DEPT.
CONFIDENTIAL
2007.10.11
ISSUED



Pin Assignments
Front View



Recommended Panel Cut-Out

UNIT:mm		TITLE M12 Conn Panel Screw 5Pin M Conn C Pin	Amphenol LTW		ITEM NO 12-05PMIP-SF8004	DRAWN BY Zeus Bautista	DATE 2007/10/01
TOLERANCE .X ±0.25 .XX ±0.1 .XXX ±0.05 ANGLES ±1'		SCALE Free	SHEET 1 OF 1	安費諾亮泰企業股份有限公司	DWG NO 12-05PMIP-SF8004	CHECKED BY Alan MJ Sundo	DATE 2007/10/02
1	2	REV. B	SIZE A4	@C : Inspection Item	CUSTOMER ALTW	APPROVED BY Cloud	DATE 2007/10/04

THIS DOCUMENT IS SUBJECT TO CHANGE WITHOUT NOTICE. IT IS CONFIDENTIAL AND A PROPERTY OF Amphenol LTW. DISCLOSURE TO THIRD PARTY HAS TO BE AUTHORIZED BY Amphenol LTW.