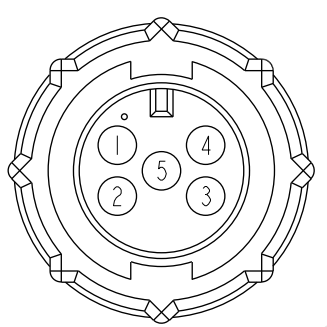
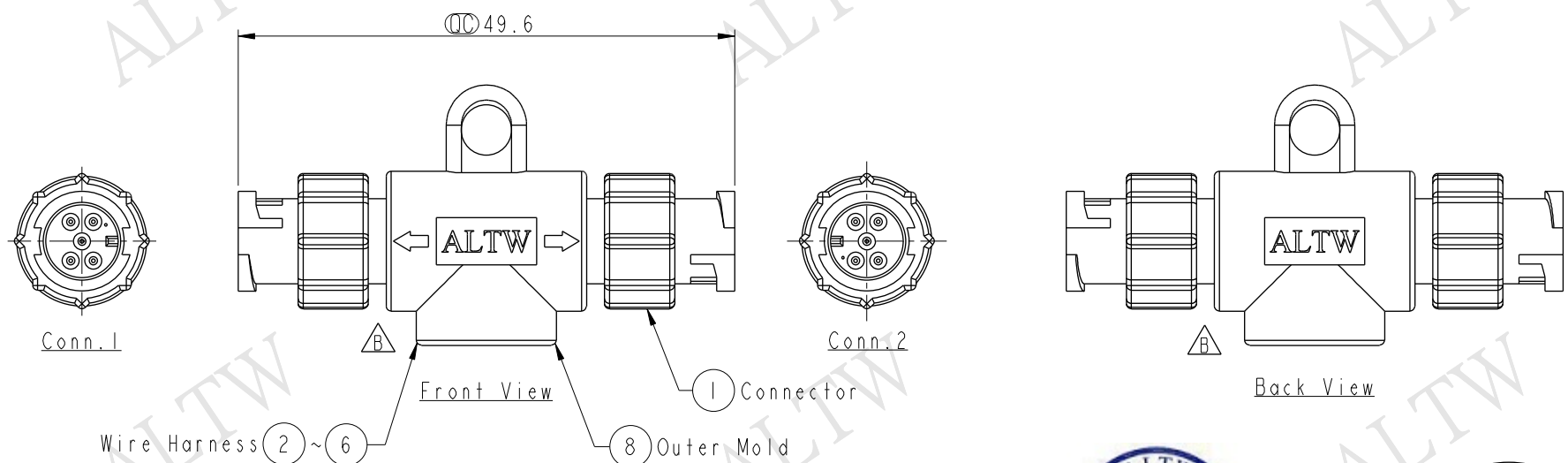


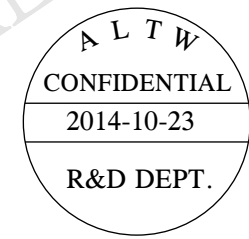
THIS DOCUMENT IS SUBJECT TO CHANGE WITHOUT NOTICE. IT IS CONFIDENTIAL AND A PROPERTY OF Amphenol LTW. DISCLOSURE TO THIRD PARTY HAS TO BE AUTHORIZED BY Amphenol LTW.

| | | | | |
|------|-----------------|------------|-------|---|
| REV. | ECN NO. | DATE | SIGN | DESCRIPTION |
| A | Initial Release | 2012/10/25 | Ruru | AA-000505-0MM-IL To AA-000505-0MM-IL001 |
| B | LE314B0036 | 2014/10/23 | Vicky | Modify Logo & Add Back View |



Conn.1&2
Pin Assignments
Front View

| | | | |
|---------|------------|---|--------|
| 5 | Blue | 藍 | 5 |
| 4 | Green | 綠 | 4 |
| 3 | Yellow | 黃 | 3 |
| 2 | Black | 黑 | 2 |
| 1 | Red | 紅 | 1 |
| Conn.1 | Wire Color | | Conn.2 |
| Pin Out | | | |



- Note:
- * \varnothing Important Dimension.
 - * Waterproof Rate: IP67
 - * Connector: Nylon+GF, Black
 - * Male Pin: Copper Alloy, Gold Plated
 - * Wire Harness: UL1007 26AWG

| | |
|-----------|---------|
| UNIT:mm | |
| TOLERANCE | ±0.5 mm |

| | | | |
|---|----------------|---------------------------------|--|
| TITLE Mini T Adaptor Lock 5Pin MM Conn MM Pin | | | |
| SCALE 3:2 | SIZE A4 | SHEET 1 OF 1 | |
| REV. B | WC-REV. A.1 | \varnothing : Inspection item | |

Amphenol LTW
安費諾亮泰企業股份有限公司

| | | |
|--------------------------------|---------------------|--------------------|
| ITEM NO AA-000505-0MM-IL001 | DRAWN BY Vicky | DATE 2014-10-23 |
| DWG NO AA-000505-0MM-IL001 | CHECKED BY Sam | DATE 2014-10-23 |
| CUSTOMER ALTW | APPROVED BY Rita | DATE 2014-10-23 |