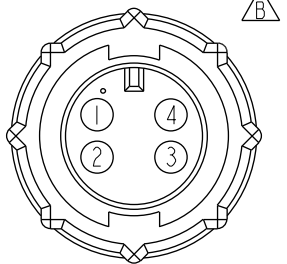
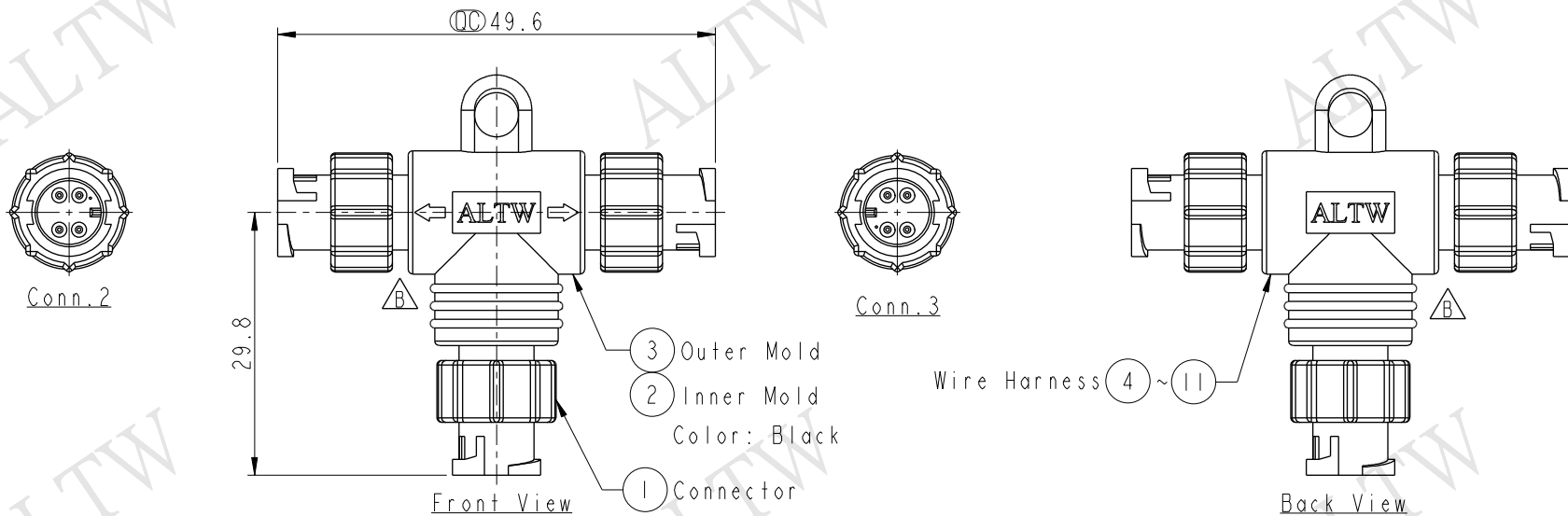


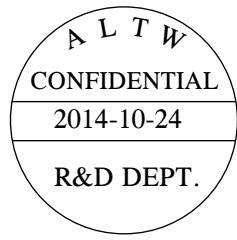
REV.	ECN NO.	DATE	SIGN	DESCRIPTION
A	Initial Release	2012/10/25	Ruru	AA-040404-MMM-TL To AA-040404-MMM-TL001
B	LEN14B0023	2014/10/24	Vicky	REF. TO ECR/N.NOTE.



Conn. 1&2&3
Pin Assignments
Front View

4	Yellow	黃	4	4
3	Red	紅	3	3
2	Green	綠	2	2
1	Black	黑	1	1
Conn. 1	Wire Color		Conn. 2	Conn. 3

Pin Out



Note:
 * \varnothing Important Dimension.
 * Waterproof Rate: IP66
 * Connector: Nylon+GF, Black
 * Male Pin: Copper Alloy, Gold Plated
 * Wire Harness: UL1007 24AWG

UNIT:mm TOLERANCE ± 0.5 mm	TITLE Mini T Adaptor Lock 4Pin MMM Conn MMM Pin		Amphenol LTW 安費諾亮泰企業股份有限公司		ITEM NO AA-040404-MMM-TL001	DRAWN BY Vicky	DATE 2014-10-24
	SCALE 5:4	SIZE A4	SHEET 1	OF 1	DWG NO AA-040404-MMM-TL001	CHECKED BY Sam	DATE 2014-10-24
	REV. B	WC-REV. A.1	\varnothing : Inspection item		CUSTOMER ALTW	APPROVED BY Rita	DATE 2014-10-24

THIS DOCUMENT IS SUBJECT TO CHANGE WITHOUT NOTICE. IT IS CONFIDENTIAL AND A PROPERTY OF Amphenol LTW. DISCLOSURE TO THIRD PARTY HAS TO BE AUTHORIZED BY Amphenol LTW.