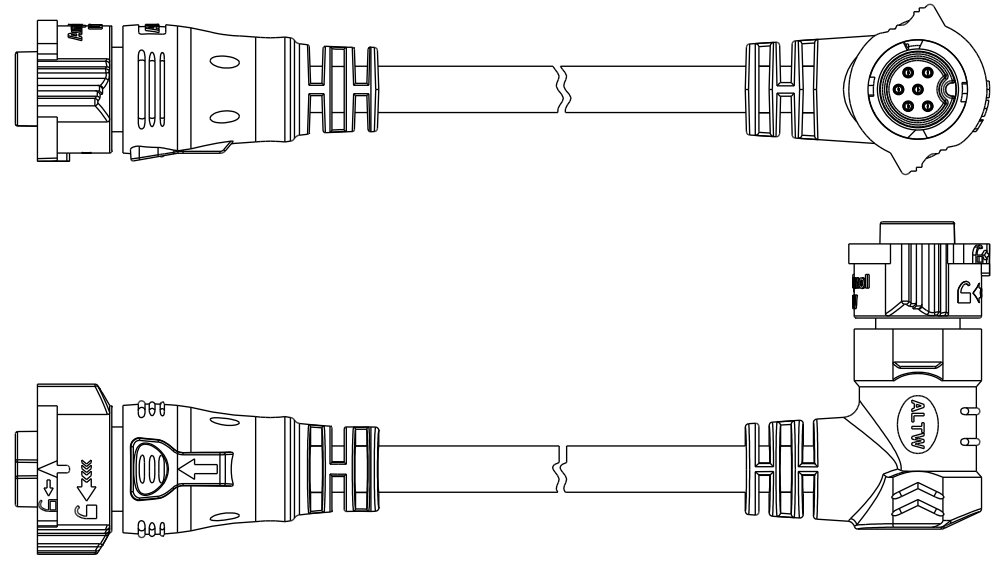
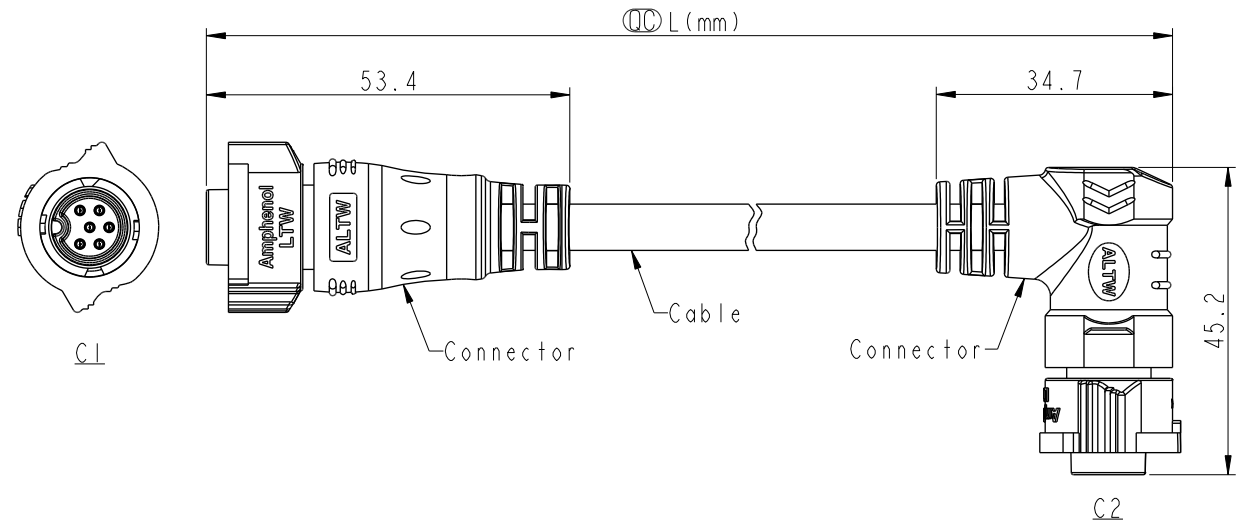


THIS DOCUMENT IS SUBJECT TO CHANGE WITHOUT NOTICE. IT IS CONFIDENTIAL AND A PROPERTY OF Amphenol LTW. DISCLOSURE TO THIRD PARTY HAS TO BE AUTHORIZED BY Amphenol LTW.

REV.	ECN NO.	DATE	SIGN	DESCRIPTION
A		2020/01/20	Vicky	Initial Released
B	C200652	2020/05/15	Wesley Lin	$\triangle B$ X2
C	C220470	2022/03/25	Vicky	$\triangle C$ X2



Note:

- * RoHS Compliant
- * $\text{\textcircled{C}}$ Important dimension
- * C1
Waterproof rate: IPX8, mated 1m/24h
Housing: Thermoplastic, Black
Pin: Copper alloy, Gold plated
O-Ring: Rubber, Dark gray
Nut: Thermoplastic, Black
Outer Mold: Thermoplastic, Black
- * C2
Waterproof rate: IPX8, mated 1m/24h
Housing: Thermoplastic, Black
Pin: Copper alloy, Gold plated
O-Ring: Rubber, Dark gray
Nut: Thermoplastic, Black
Outer Mold: Thermoplastic, Black
- * Cable: UL21388, PVC Jacket, Black
- * Cable length tolerance:

0.5M < L ≤ 1M:	+60/-0 mm
1M < L ≤ 3M:	+120/-0 mm
3M < L ≤ 5M:	+160/-0 mm
5M < L ≤ 10M:	±100 mm
10M < L ≤ 20M:	±200 mm
20M < L ≤ 30M:	±300 mm
30M < L ≤ 99M:	±500 mm

UNIT: mm		TITLE	ACC, XLOK, B-5A, DB-ENDED FF		
TOLERANCE	±0.5mm	SCALE	1:2	SIZE	A4
		REV.	C	WC-REV.	.0
			$\text{\textcircled{C}}$: Inspection item	SHEET	1 OF 2

Amphenol LTW
安費諾亮泰企業股份有限公司

ITEM NO.	DRAWN BY	DATE
	Vicky	2020-01-20
DWG NO.	CHECKED BY	DATE
AB-BDXXBL-BDBR-QDXXX	Rita	2020-01-20
CUSTOMER	APPROVED BY	DATE
ALTW	Max	2020-01-20

THIS DOCUMENT IS SUBJECT TO CHANGE WITHOUT NOTICE. IT IS CONFIDENTIAL AND A PROPERTY OF AMPHENOL LTW. DISCLOSURE TO THIRD PARTY HAS TO BE AUTHORIZED BY AMPHENOL LTW.

6P	PVC	6.8	20	AB-BD06BL-BDBR-QDXXX
5P		6.2		AB-BD05BL-BDBR-QDXXX
4P		6.0		AB-BD04BL-BDBR-QDXXX
3P		5.5		AB-BD03BL-BDBR-QDXXX
2P		5.5		AB-BD02BL-BDBR-QDXXX
Contacts	Cable Jacket	Cable OD	AWG	Item No.

AB-BD XX BL-BDBR-QD XXX

△C XX: No. Of Pin XXX: 0.5-99Meters
 A05: 0.5 Meter
 001: 01 Meter
 002: 02 Meters
 :
 099: 99 Meters

Pin Out	2 Brown 1 Black	3 Red 2 Brown 1 Black	4 Orange 3 Red 2 Brown 1 Black	5 Yellow 4 Orange 3 Red 2 Brown 1 Black	6 Green 5 Yellow 4 Orange 3 Red 2 Brown 1 Black
	Pin # Wire	Pin # Wire	Pin # Wire	Pin # Wire	Pin # Wire
C2					
C1					

Pin Assignments Front View

UNIT:mm		TITLE	ACC, XLOK, B-5A, DB-ENDED FF	
TOLERANCE	±0.5mm	SCALE	1:2	SIZE A4
		REV.	C	WC-REV. .0
			SHEET 2 OF 2	
			☉: Inspection item	

Amphenol LTW
 安費諾亮泰企業股份有限公司

ITEM NO	AB-BDXXBL-BDBR-QDXXX	DRAWN BY	Vicky	DATE	2020-01-20
DWG NO	AB-BDXXBL-BDBR-QDXXX	CHECKED BY	Rita	DATE	2020-01-20
CUSTOMER	ALTW	APPROVED BY	Max	DATE	2020-01-20