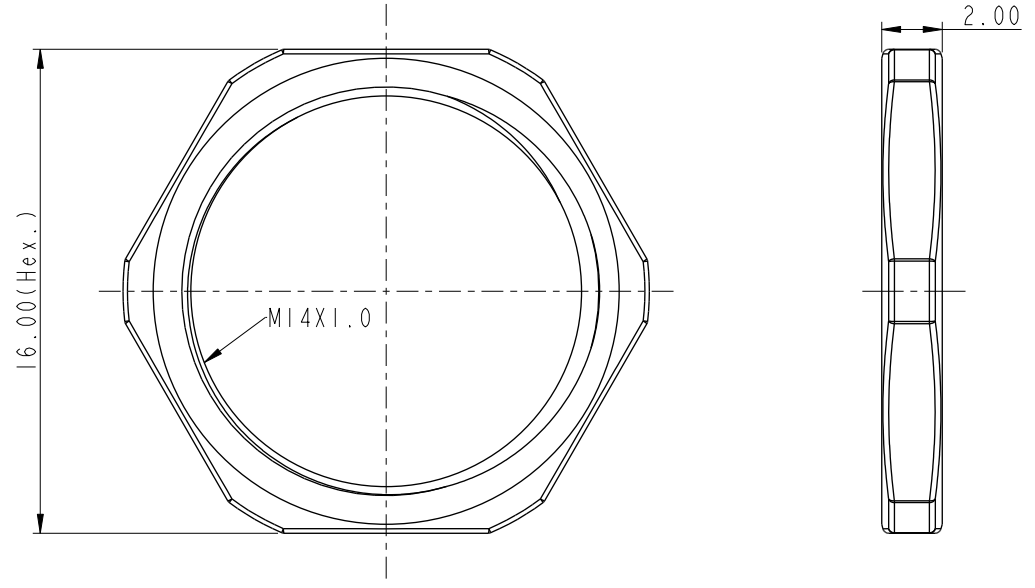


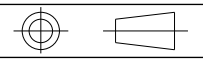
THIS DOCUMENT IS SUBJECT TO CHANGE WITHOUT NOTICE. IT IS CONFIDENTIAL AND A PROPERTY OF Amphenol LTW. DISCLOSURE TO THIRD PARTY HAS TO BE AUTHORIZED BY Amphenol LTW.

REV.	ECN NO.	DATE	SIGN	DESCRIPTION
A		2019-11-06	Allen Pan	Rev.01 To Rev.A



Note:
 * Material: Metal
 * Salt Spray: 96hr

UNIT: mm



TITLE M14 Screw Nut			
SCALE 4:1	SIZE A4	SHEET 1 OF 1	
REV. A	WC-REV. A.1	QC: Inspection item	

Amphenol LTW
 安費諾亮泰企業股份有限公司

ITEM NO APT-AMZPA014-002	DRAWN BY Allen Pan	DATE 2019-11-06
DWG NO APT-AMZPA014-002	CHECKED BY Fred Lee	DATE 2019-11-06
CUSTOMER ALTW	APPROVED BY Fred Lee	DATE 2019-11-06