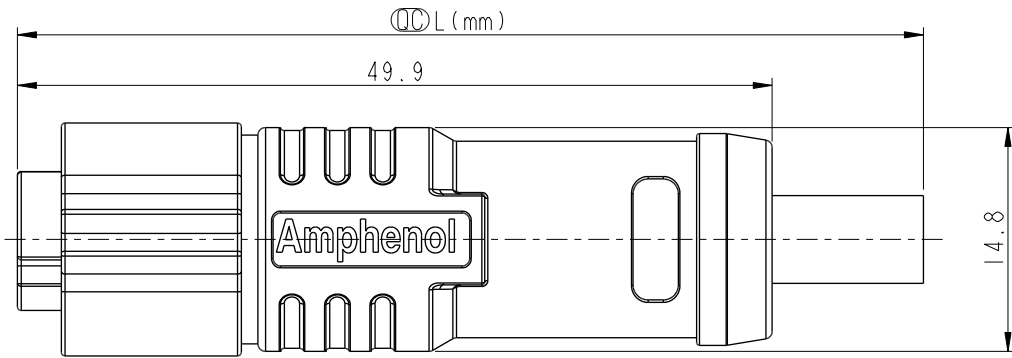
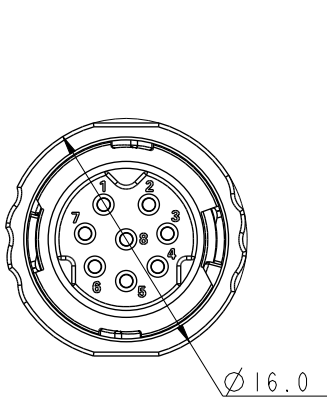


THIS DOCUMENT IS SUBJECT TO CHANGE WITHOUT NOTICE. IT IS CONFIDENTIAL AND A PROPERTY OF Amphenol LTW. DISCLOSURE TO THIRD PARTY HAS TO BE AUTHORIZED BY Amphenol LTW.

8P	PVC	5.8	24	ASU-08BFFM-QL8CXX
Contacts	Cable Jacket	Cable OD	AWG	Item No.

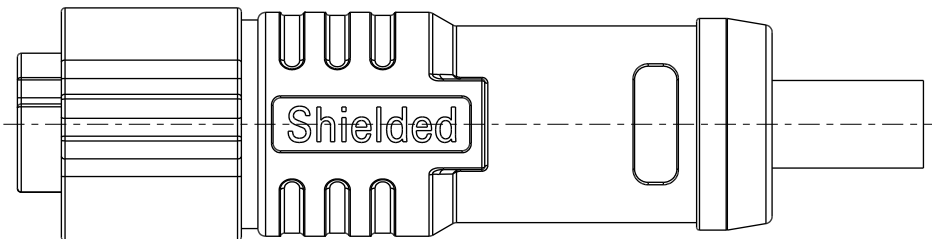
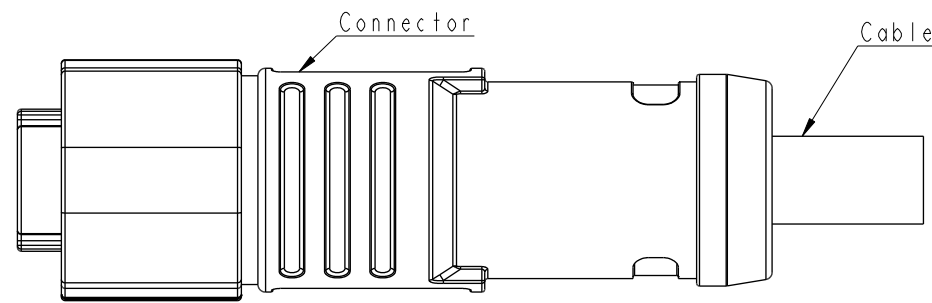
REV.	ECN NO.	DATE	SIGN	DESCRIPTION
A		2022-02-23	Jiahe Lin	Rev.01 to A, Initial Released



ASU-XXBFFM-QL8CXX

XX: L=0-99Meters  
 01: L=1Meters  
 02: L=2Meters  
 :  
 99: L=99Meters

XX: No. Of Pin



Shield Braid	編織
8 Red	紅
7 Blue	藍
6 Pink	粉紅
5 Gray	灰
4 Yellow	黃
3 Green	綠
2 Brown	棕
1 White	白

Pin #	Wire
8P	
Pin Assignments Front View	

Note:

- \* RoHS Compliant
- \*  $\varnothing$  Important dimension
- \* Waterproof rate: IPX8, mated 1m/24h
- \* Connector
  - Housing: Thermoplastic, Black
  - Pin: Copper alloy, Gold plated
  - Shield: Metal
  - Nut: Metal
  - Outer mold: Thermoplastic, Black
- \* Cable: UL2517, PVC Jacket, Black
- \* Cable length tolerance:
  - 1M: +50/-0 mm
  - 1M < L ≤ 3M: +100/-0 mm
  - 3M < L ≤ 5M: +150/-0 mm
  - 5M < L ≤ 10M: ±100 mm
  - 10M < L ≤ 20M: ±200 mm
  - 20M < L ≤ 30M: ±300 mm
  - 30M < L ≤ 99M: ±500 mm

UNIT:mm		TITLE
TOLERANCE	±0.5mm	XLOK, A SHLD-2A, 08P, CABLE W/O SR
SCALE	2:1	SIZE
REV.	A	WC-REV.
		$\varnothing$ : Inspection item

**Amphenol LTW**  
 安費諾亮泰企業股份有限公司

ITEM NO.	DRAWN BY	DATE
	Jiahe Lin	2022-02-23
DWG NO.	CHECKED BY	DATE
ASU-XXBFFM-QL8CXX	Allen Pan	2022-02-23
CUSTOMER	APPROVED BY	DATE
ALTW	Fred Lee	2022-02-23