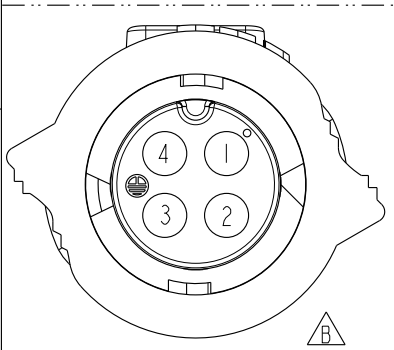
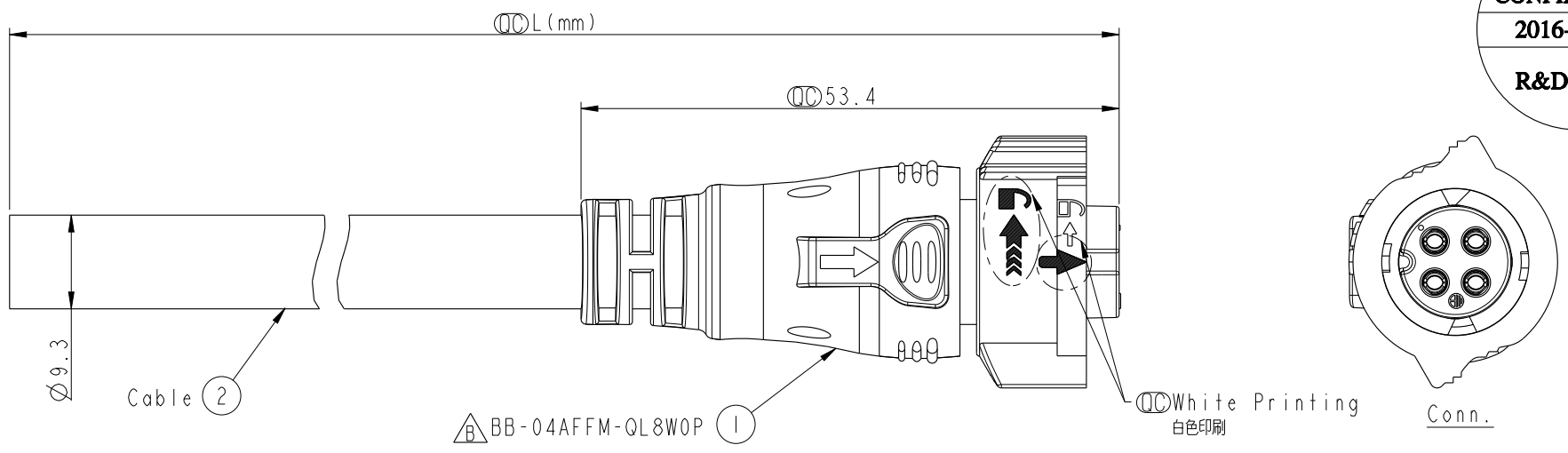
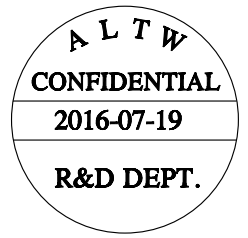


REV.	ECN NO.	DATE	SIGN	DESCRIPTION
B	LE31680199	2016-07-19	Tom Gu	Change Part No. of Half Finished



Pin Assignments
Front View



4	Red	紅
3	Green	綠
2	White	白
1	Black	黑
Conn.	Wire Color	
	Pin Out	

BB-04AFFM-QL8E XX
 ↑
 XX : 01~99Meters
 01 : 01Meter
 02 : 02Meters
 :
 :
 :
 99 : 99Meters

- Note:
- * \varnothing Important Dimension To Check.
 - * Waterproof Rate: IP68(Mated)
(in 1 meter water within 24 hours)
 - * Working Voltage Rating: AC 300 V
 - * Working Current Rating: 10A
 - * Housing: Nylon+GF, Black.
 - * Female Pin: Copper Alloy, Gold Plated.
 - * Rubber: Silicon, Gray
 - * Cable: SJTW 16AWG*4C PVC Jacket
UV Resistant, OD=9.3, Black.
 - * Cable Length Tolerance: 01M:±40mm
02M~05M:±60mm
06M~10M:±100mm
11M~30M:±200mm
31M~99M:±500mm

UNIT:mm	
TOLERANCE	±0.5

TITLE X-Lok B-Size (Power) Molding F Conn F 4 Pin			
SCALE 3:2	SIZE A4	SHEET 1 OF 1	
REV. B	WC-REV. A.1	\varnothing : Inspection item	

Amphenol LTW
 安費諾亮泰企業股份有限公司

ITEM NO	DRAWN BY Tom Gu	DATE 2016-07-19
DWG NO BB-04AFFM-QL8EXX	CHECKED BY Spring Liu	DATE 2016-07-19
CUSTOMER ALTW	APPROVED BY Kevin Hu	DATE 2016-07-19

THIS DOCUMENT IS SUBJECT TO CHANGE WITHOUT NOTICE. IT IS CONFIDENTIAL AND A PROPERTY OF AMPHENOL LTW. DISCLOSURE TO THIRD PARTY HAS TO BE AUTHORIZED BY AMPHENOL LTW.