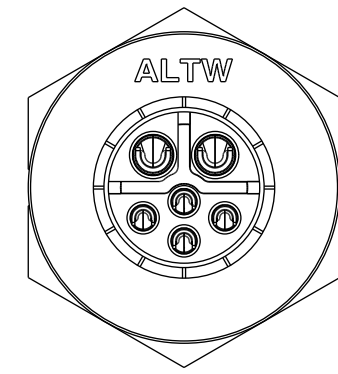
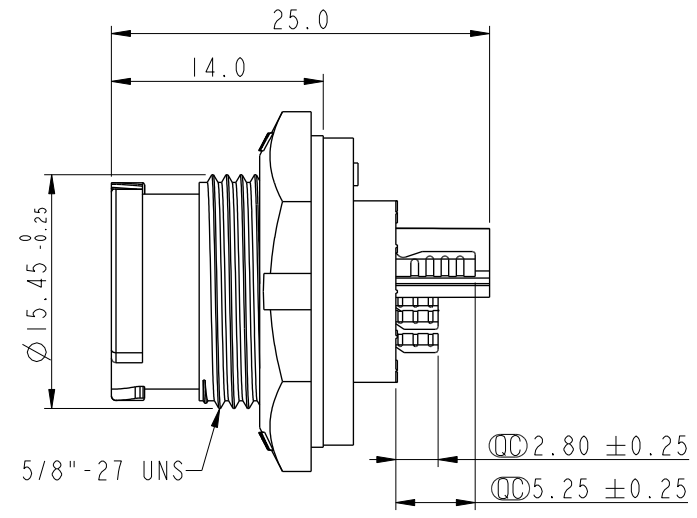
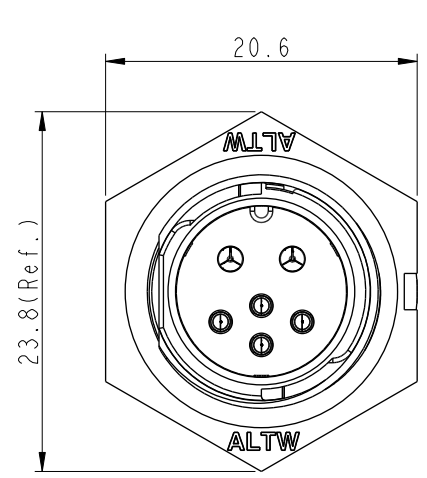


THIS DOCUMENT IS SUBJECT TO CHANGE WITHOUT NOTICE. IT IS CONFIDENTIAL AND A PROPERTY OF AMPHENOL LTW. DISCLOSURE TO THIRD PARTY HAS TO BE AUTHORIZED BY AMPHENOL LTW.

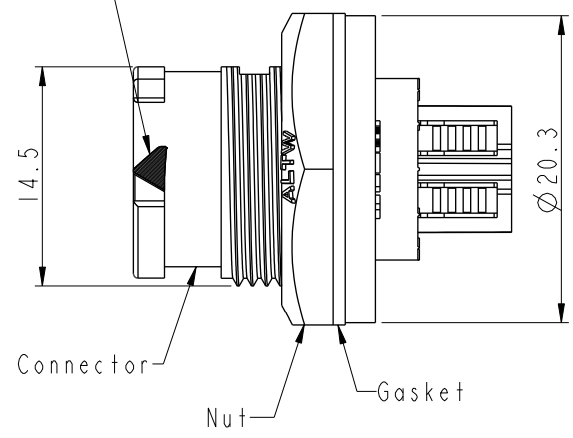
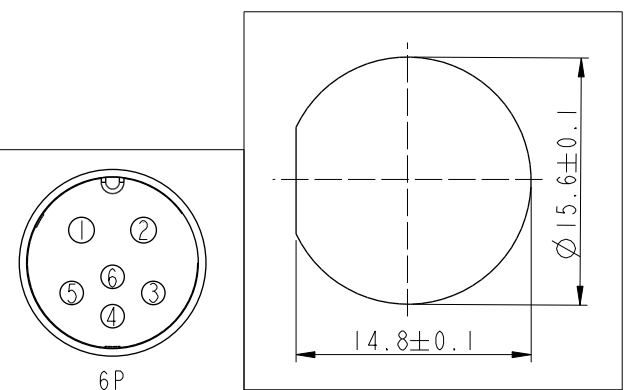
REV.	ECN NO.	DATE	SIGN	DESCRIPTION
A	Initial Release	2016/05/07	Spring	Change Rev.01 To Rev.A
B	C190411	2019/03/14	Vicky	Change Note
C	C220644	2022/04/27	Ruru	$\triangle$ X4

$\triangle$   
BBD-XXPMMS-QC8001

XX: No. Of Pin



$\odot$  White Printing



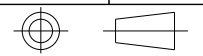
Note:  $\triangle$  $\triangle$

- \* RoHS Compliant
- \*  $\odot$  Important dimension
- \* Waterproof rate: IPX8, unmated 1m/24h
- \* Connector
- Housing: Thermoplastic, Black
- Pin: Copper alloy, Gold plated
- \* Nut: Thermoplastic, Black
- \* Gasket: Rubber, Gray
- \* Use with waterproof cap or dust cap
- Panel thickness max: 3.0mm
- \* Use without waterproof cap or dust cap
- Panel thickness max: 4.0mm
- \* Gasket and nut are packed separately in pe bag

Pin Assignment Front View

Recommended Panel Cut-out

UNIT:mm



TITLE  
XLOK, B-10A+5A, FRONT FASTENED  
M, M, SOLDER, PUSH LOCK  $\triangle$

**Amphenol LTW**

ITEM NO

DRAWN BY  
Vicky

DATE  
2019-03-14

TOLERANCE  
.X ±0.25  
.XX ±0.1  
.XXX ±0.05  
ANGLES ±1°

SCALE  
2:1

SIZE  
A4

SHEET  
1 OF 1

REV.  
C

安費諾亮泰企業股份有限公司

DWG NO  
BBD-XXPMMS-QC8001  $\triangle$

CHECKED BY  
Rita

DATE  
2019-03-14

CUSTOMER  
ALTW

APPROVED BY  
Max

DATE  
2019-03-14