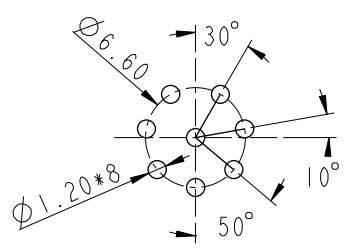


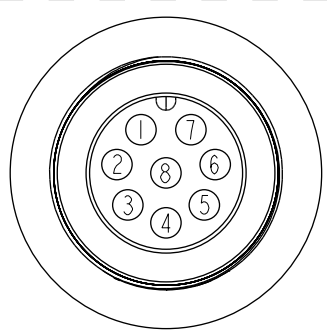
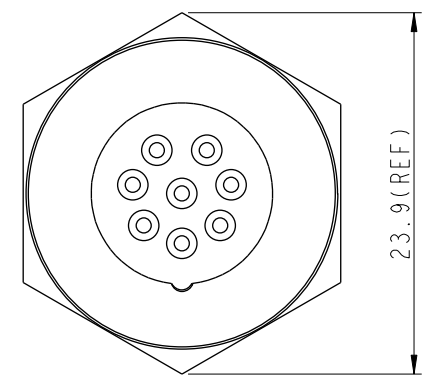
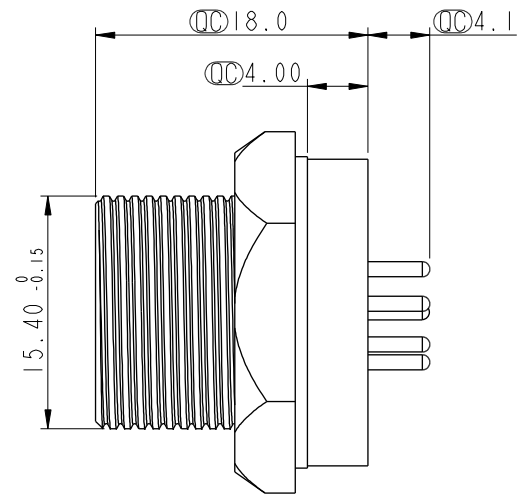
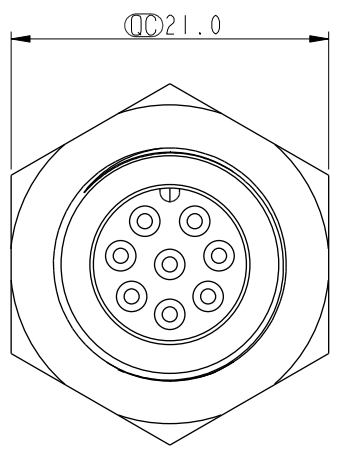
THIS DOCUMENT IS SUBJECT TO CHANGE WITHOUT NOTICE. IT IS CONFIDENTIAL AND A PROPERTY OF Amphenol LTW. DISCLOSURE TO THIRD PARTY HAS TO BE AUTHORIZED BY Amphenol LTW.

| REV. | ECN NO. | DATE | SIGN | DESCRIPTION |
|------|---------|------------|------|-------------|
| B | C190269 | 2019/03/06 | Ruru | Modify Note |
| | | | | |

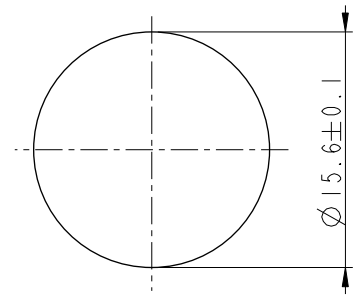
ALTW
CONFIDENTIAL
 2019-03-06
 R&D DEPT.



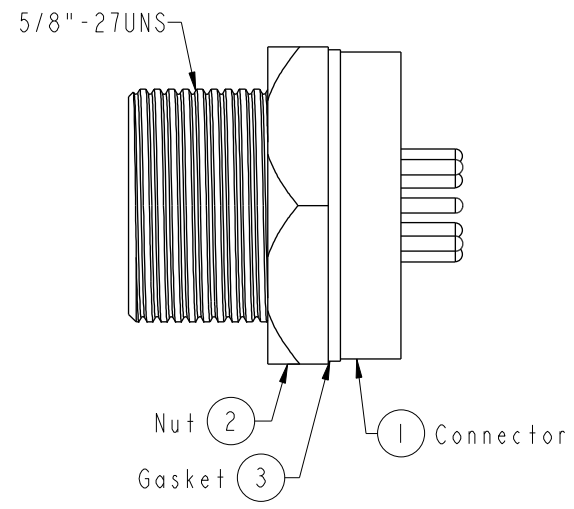
8 Pin Male Connector
Male Pin PCB Layout



Pin Assignments
Front View



Recommended Panel Cut-out



- Note:
- * Important Dimension To Check.
 - * Waterproof Rate: IP67, Unmated
 - * Housing: Metal, Nickel Plated
 - * Pin: Copper Alloy, Gold Plated
 - * Nut: Metal, Nickel Plated
 - * Gasket: Rubber, Black
 - * Maximum Panel Thickness: 4.4mm
 - * Gasket and Nut are packed separately in PE bags.

| | | |
|-----------|------------|--|
| UNIT:mm | | |
| TOLERANCE | .X ±0.25 | |
| | .XX ±0.1 | |
| | .XXX ±0.05 | |
| ANGLES | ±1° | |

| | | | |
|--|----------------|-----------------|--|
| TITLE Standard Panel Screw 8Pin M Conn M Pin | | | |
| SCALE 2:1 | SIZE A4 | SHEET 1 OF 1 | |
| REV. B | WC-REV. A.2 | Inspection item | |

Amphenol LTW
 安費諾亮泰企業股份有限公司

| | | |
|-------------------------------|--------------------|--------------------|
| ITEM NO. BSD-08PMMP-SC7001 | DRAWN BY Ruru | DATE 2019-03-06 |
| DWG NO. BSD-08PMMP-SC7001 | CHECKED BY Rita | DATE 2019-03-06 |
| CUSTOMER ALTW | APPROVED BY Max | DATE 2019-03-06 |