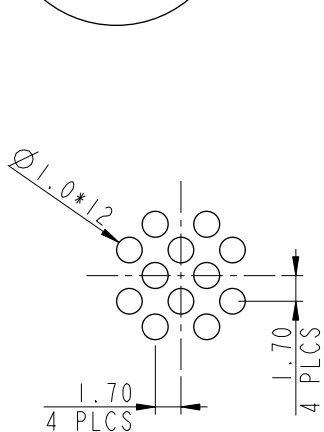
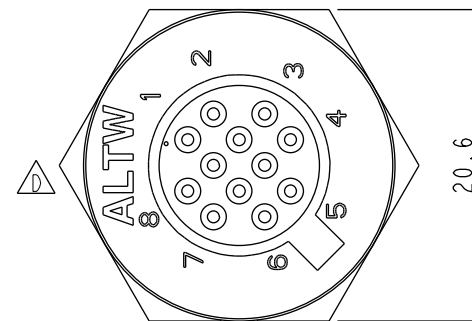
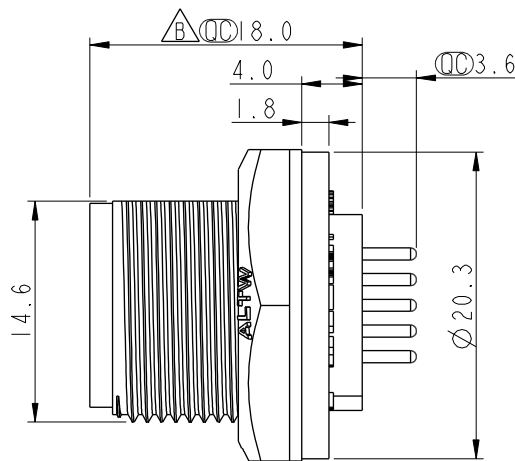
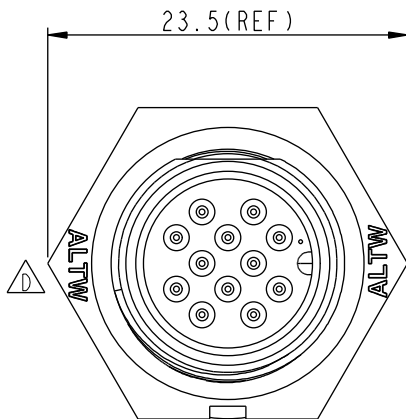


ALTW
 CONFIDENTIAL
 2019-02-26
 R&D DEPT.

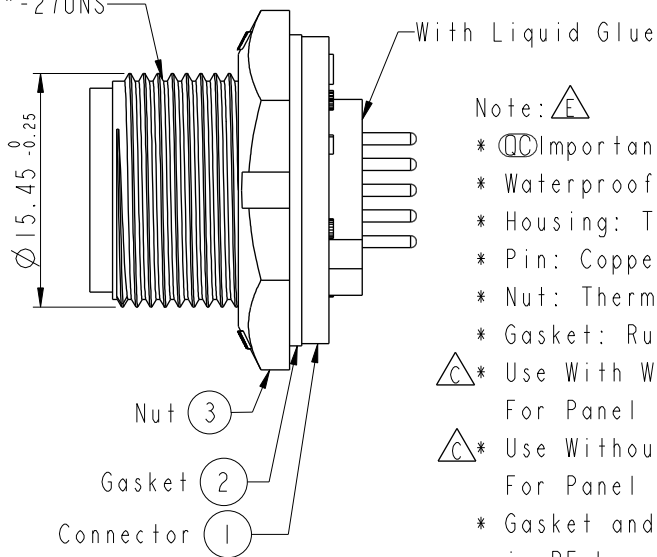
REV.	ECN NO.	DATE	SIGN	DESCRIPTION
C	LEN-8B0540	2008/09/22	Shin	Add Note
D	LEN15A0325	2015/06/03	Jinhai	Change Logo
E	CI90269	2019/02/26	Ruru	Modify Note



PCB Lay-out

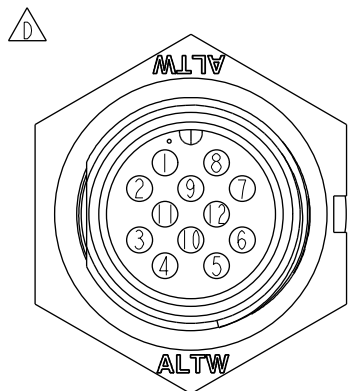


5/8"-27UNS

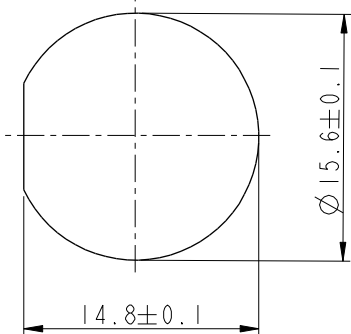


Note: \triangle

- * CC Important Dimension To Check.
- * Waterproof Rate: IP67, Unmated
- * Housing: Thermoplastic, Black
- * Pin: Copper Alloy, Gold Plated
- * Nut: Thermoplastic, Black
- * Gasket: Rubber, Black
- \triangle * Use With Waterproof Cap Or Dust Cap For Panel Thickness Max: 3.0mm
- \triangle * Use Without Waterproof Cap Or Dust Cap For Panel Thickness Max: 4.0mm
- * Gasket and Nut are packed separately in PE bags.



Pin Assignments
 Front View



Recommended Panel Cut-out

UNIT:mm	
TOLERANCE	
.X	±0.25
.XX	±0.1
.XXX	±0.05
ANGLES	±1°

TITLE Standard Panel Screw 12Pin M Conn. M Pin			
SCALE 2:1	SIZE A4	SHEET 1 OF 1	
REV. E	WC-REV. A.3	CC : Inspection item	

Amphenol LTW
 安費諾亮泰企業股份有限公司

ITEM NO BU-12PMMP-SC7001	DRAWN BY Ruru	DATE 2019-02-26
DWG NO BU-12PMMP-SC7001	CHECKED BY Rita	DATE 2019-02-26
CUSTOMER ALTW	APPROVED BY Max	DATE 2019-02-26

THIS DOCUMENT IS SUBJECT TO CHANGE WITHOUT NOTICE. IT IS CONFIDENTIAL AND A PROPERTY OF Amphenol LTW. DISCLOSURE TO THIRD PARTY HAS TO BE AUTHORIZED BY Amphenol LTW.