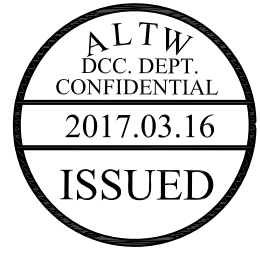
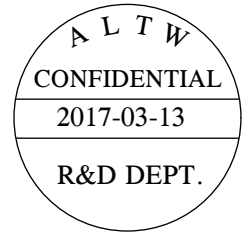
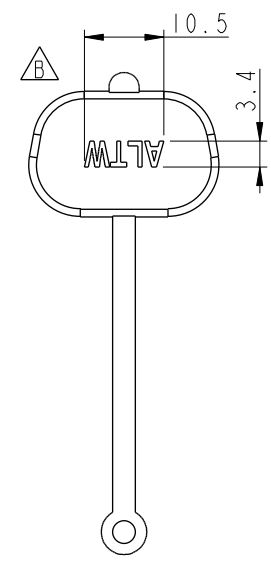
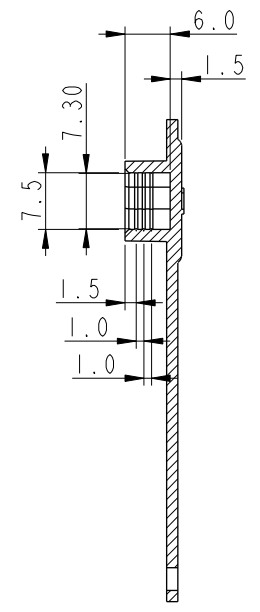
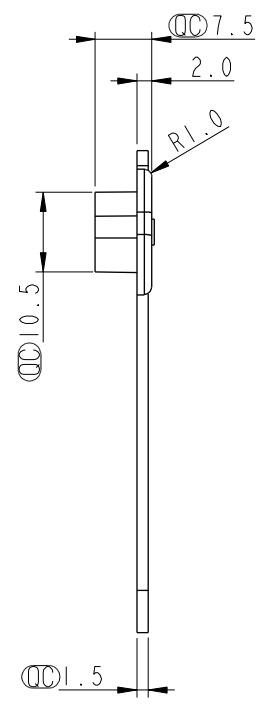
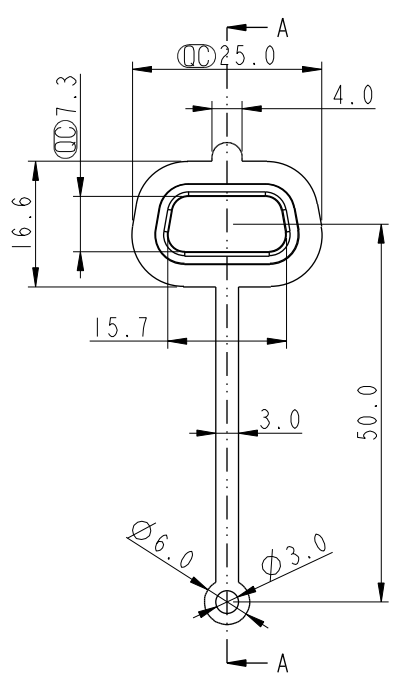


THIS DOCUMENT IS SUBJECT TO CHANGE WITHOUT NOTICE. IT IS CONFIDENTIAL AND A PROPERTY OF Amphenol LTW. DISCLOSURE TO THIRD PARTY HAS TO BE AUTHORIZED BY Amphenol LTW.

REV.	ECN NO.	DATE	SIGN	DESCRIPTION
A	Initial Release	2013/08/28	Vicky	Old Item No. CAP-DDIPFXCI
B	LEN1730145	2017/03/13	Ruru	Change Logo



- Note:
- * \varnothing Important Dimension.
 - * Material: Santoprene TPV 101-64
 - * Color: Black
 - * Text Depth: 凸字高 0.3mm

UNIT: mm		
TOLERANCE	.X ±0.25	
	.XX ±0.1	
	.XXX ±0.05	
ANGLES	±1°	

TITLE Dust Cover For DB09/HD15 F		
SCALE 1:1	SIZE A4	SHEET 1 OF 1
REV. B	WC-REV. A.1	\varnothing : Inspection item

Amphenol LTW
安費諾亮泰企業股份有限公司

ITEM NO. CAP-DDIFDPCI	DRAWN BY Ruru	DATE 2017-03-13
DWG NO. CAP-DDIFDPCI	CHECKED BY Rita	DATE 2017-03-13
CUSTOMER ALTW	APPROVED BY Max	DATE 2017-03-13