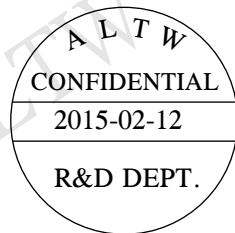
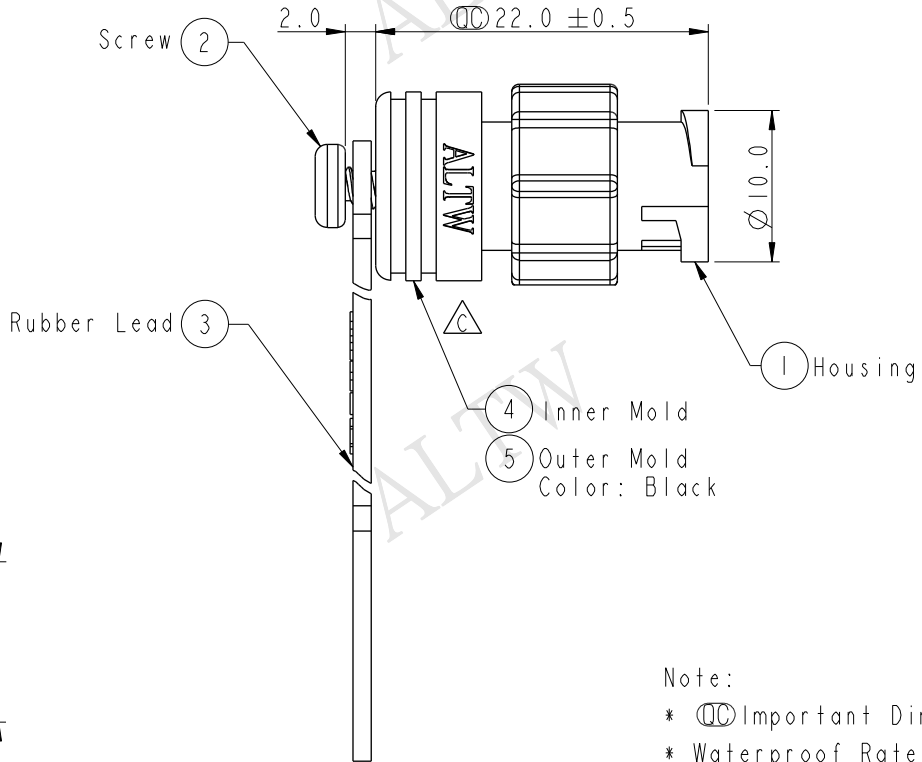
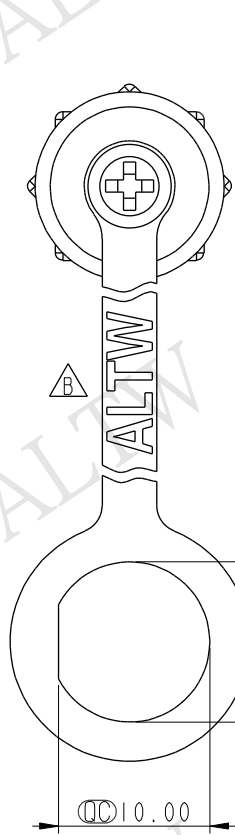


REV.	ECN NO.	DATE	SIGN	DESCRIPTION
A	Initial Release	2013/09/06	Vicky	Old Item No. CAP-WAACFLC1
B	LEN14B0185	2014/11/10	Ruru	Change Logo LTW To ALTW
C	LEN1530069	2015/02/12	Ruru	Change Logo



- Note:
- \*  $\varnothing$  Important Dimension To Check.
  - \* Waterproof Rate: IP67
  - \* Housing: Nylon+GF, Black.
  - \* Rubber Lead: TPES, Black.
  - \* Screw is not allowed to tight (Rubber Lead be revolve)  
不可將螺絲鎖緊, (塑膠鏈條要可旋轉)
  - \* Drill Hold  $\varnothing$  2.3mm, Depth 4mm.  
鑽孔  $\varnothing$  2.3mm, 深4mm

UNIT: mm			TITLE Mini Size Waterproof Cap for F Conn F Pin		
TOLERANCE .X ±0.25 .XX ±0.1 .XXX ±0.05 ANGLES ±1°	SCALE 2:1	SIZE A4	SHEET 1	OF 1	REV. C
		WC-REV. A.4	QC: Inspection item		

**Amphenol LTW**  
安費諾亮泰企業股份有限公司

ITEM NO. CAP-WAAFLPC1	DRAWN BY Ruru	DATE 2015-02-12
DWG NO. CAP-WAAFLPC1	CHECKED BY Rita	DATE 2015-02-12
CUSTOMER ALTW	APPROVED BY Lion	DATE 2015-02-12

THIS DOCUMENT IS SUBJECT TO CHANGE WITHOUT NOTICE. IT IS CONFIDENTIAL AND A PROPERTY OF AMPHENOL LTW. DISCLOSURE TO THIRD PARTY HAS TO BE AUTHORIZED BY AMPHENOL LTW.