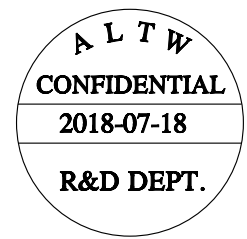
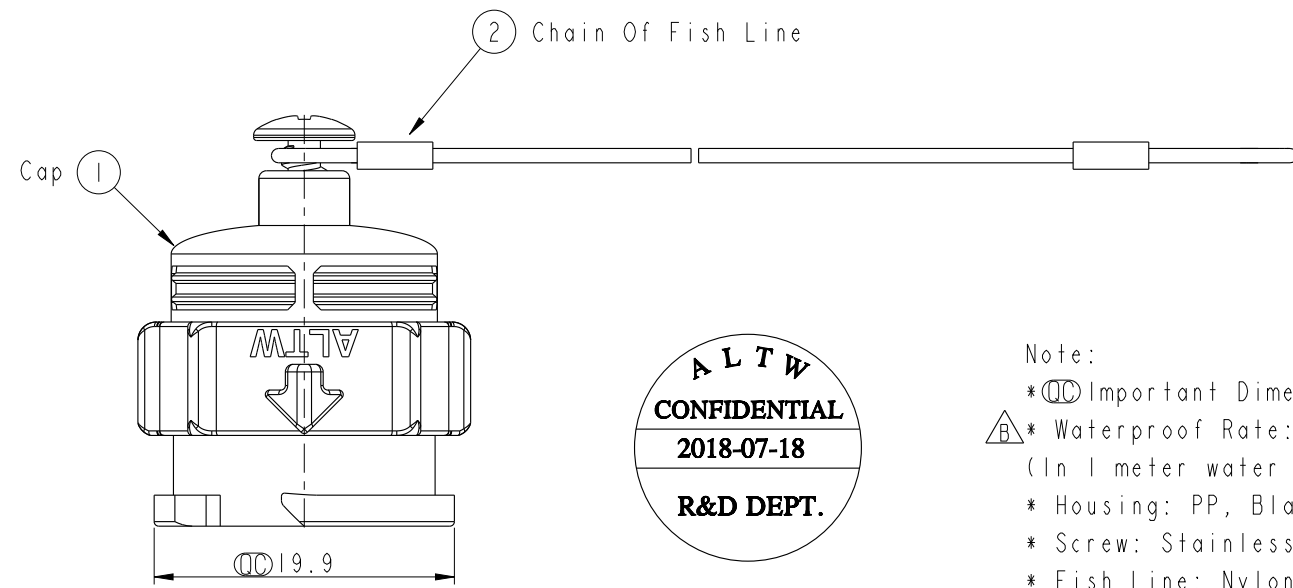
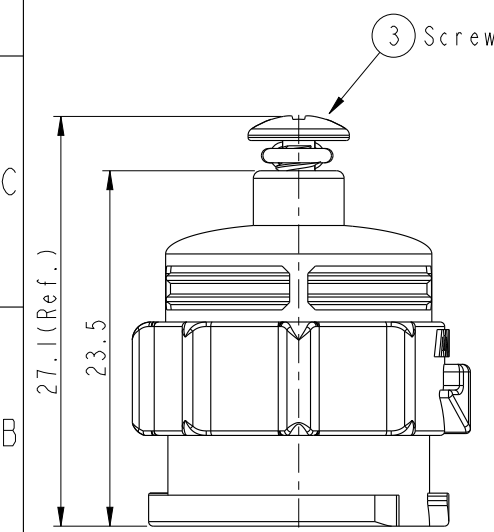
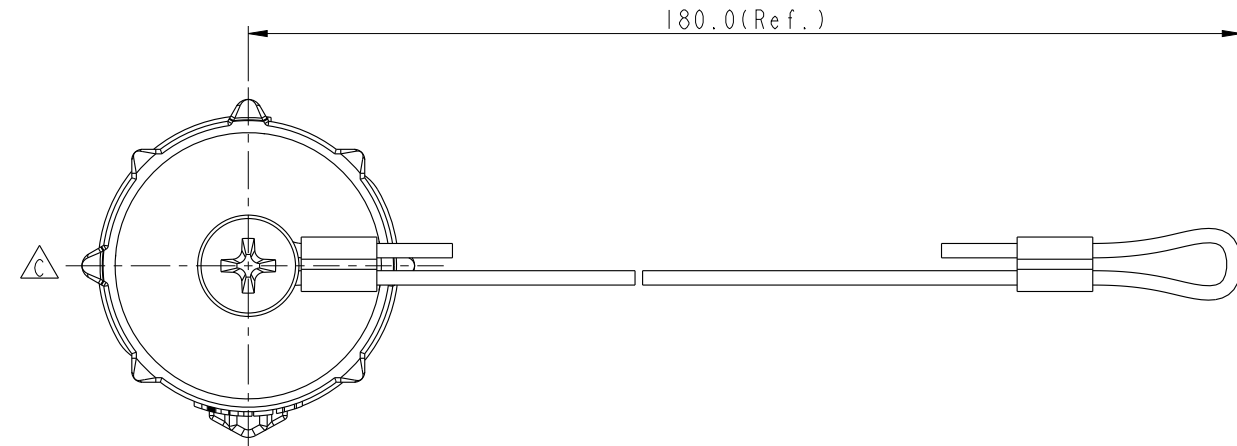


THIS DOCUMENT IS SUBJECT TO CHANGE WITHOUT NOTICE. IT IS CONFIDENTIAL AND A PROPERTY OF AMPHENOL LTW. DISCLOSURE TO THIRD PARTY HAS TO BE AUTHORIZED BY AMPHENOL LTW.

REV.	ECN NO.	DATE	SIGN	DESCRIPTION
B	LEN1720079	2017-02-09	Frank Deng	Change Waterproof Rate
C	LEN1870040	2018-07-18	Frank Deng	Delete Dimension 22.0 And 22.4



- Note:
- \*  $\text{CC}$  Important Dimension To Check.
  - \*  $\text{B}$  Waterproof Rate: IP68  
(In 1 meter water within 24 hours)
  - \* Housing: PP, Black
  - \* Screw: Stainless.
  - \* Fish Line: Nylon.

UNIT: mm  	TITLE X-Lok C-Size Waterproof Cap For Feme Conn.			<b>Amphenol LTW</b> 安費諾亮泰企業股份有限公司	ITEM NO	DRAWN BY	DATE	
	TOLERANCE .X ±0.25 .XX ±0.1 .XXX ±0.05 ANGLES ±1°		SCALE 2:1 SIZE A4 SHEET 1 OF 1		REV. C WC-REV. A.6 $\text{CC}$ : Inspection item	DWG NO CAP-WACFOCD1	CHECKED BY Spring Liu	DATE 2018-07-18
					CUSTOMER ALTW	APPROVED BY Kevin Hu	DATE 2018-07-18	