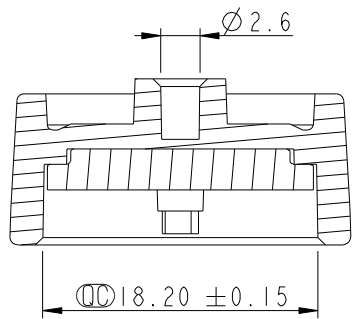
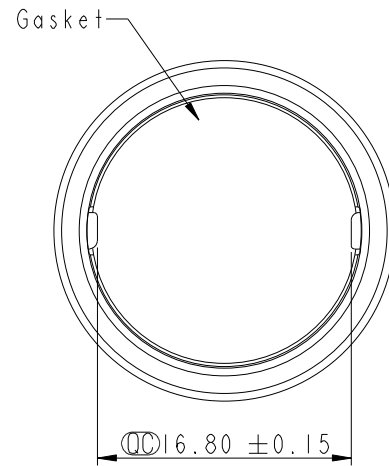
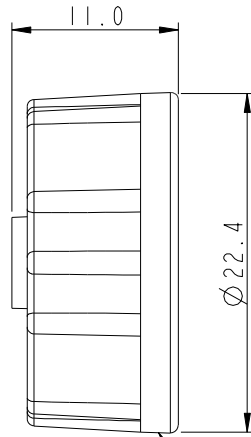
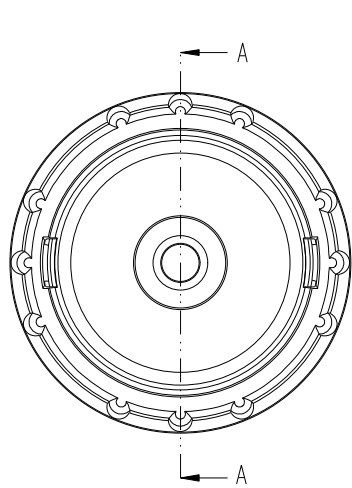


REV.	ECN NO.	DATE	SIGN	DESCRIPTION
B	LEN1470197	2014-06-18	Yulong_wang	Change the Gasket Material.

ALTW
CONFIDENTIAL
2014-06-18
R&D DEPT.



1 Waterproof Cap

ALTW
DCC. DEPT.
CONFIDENTIAL
2014.07.25
ISSUED

Note:
* \varnothing Important Dimension To Check.
* Cap: Nylon+GF, Black.
* \triangle Gasket: Silicone, Grey.

UNIT:mm		
TOLERANCE	.X ±0.25	
	.XX ±0.1	
	.XXX ±0.05	
ANGLES	±1°	

TITLE Waterproof Cap For Male Conn. C Size Lock Type		
SCALE 2:1	SIZE A4	SHEET 1 OF 1
REV. B	WC-REV. A.5	\varnothing : Inspection item

Amphenol LTW
安費諾亮泰企業股份有限公司

ITEM NO. CAP-WACMLMAI	DRAWN BY Yulong_wang	DATE 2014-06-18
DWG NO. CAP-WACMLMAI	CHECKED BY Lin_rensong	DATE 2014-06-18
CUSTOMER ALTW	APPROVED BY Jerry	DATE 2014-06-18

THIS DOCUMENT IS SUBJECT TO CHANGE WITHOUT NOTICE. IT IS CONFIDENTIAL AND A PROPERTY OF AMPHENOL LTW. DISCLOSURE TO THIRD PARTY HAS TO BE AUTHORIZED BY AMPHENOL LTW.