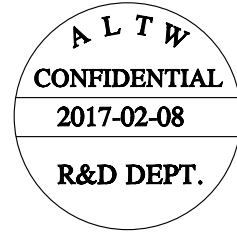
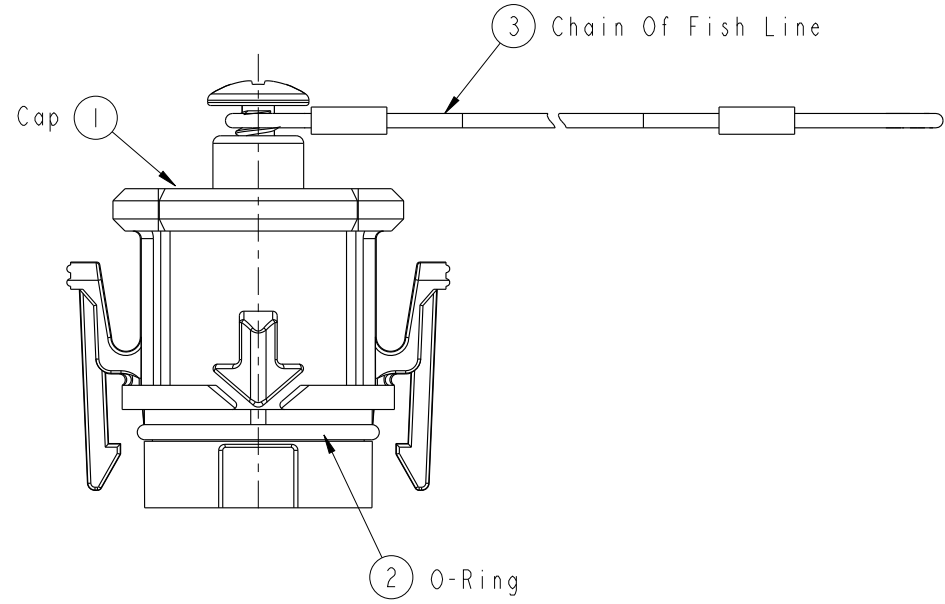
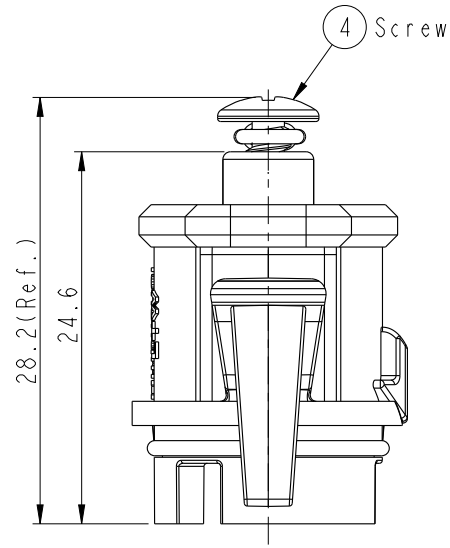
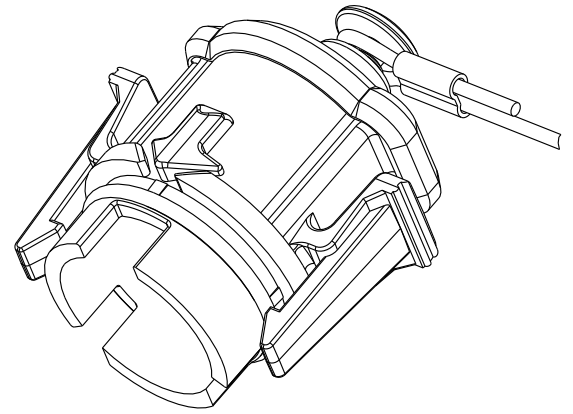
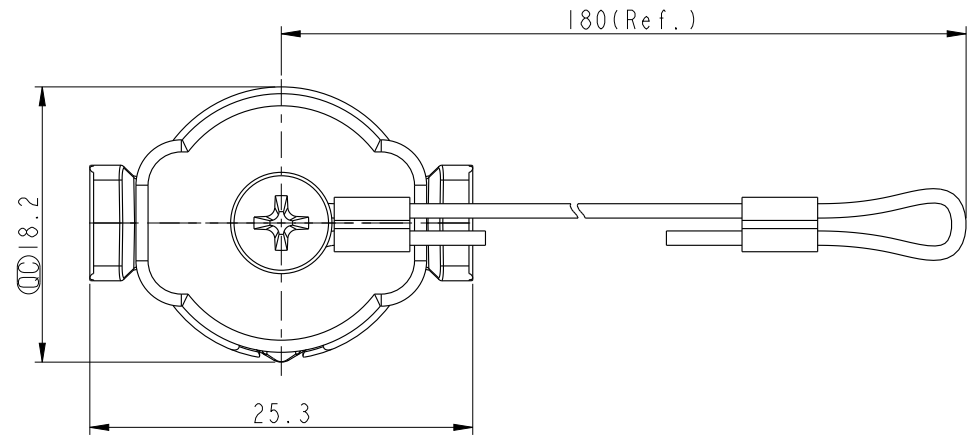


THIS DOCUMENT IS SUBJECT TO CHANGE WITHOUT NOTICE. IT IS CONFIDENTIAL AND A PROPERTY OF Amphenol LTW. DISCLOSURE TO THIRD PARTY HAS TO BE AUTHORIZED BY Amphenol LTW.

REV.	ECN NO.	DATE	SIGN	DESCRIPTION
B	LE31720234	2017-02-08	Frank Deng	Change Waterproof Rate



Note:
 * ⌀ Important Dimension To Check.
 * $\triangle B$ Waterproof Rate: IP68
 (In 1 meter water within 24 hours)
 * Cap: PP, Black
 * O-ring: Silicone, Gray
 * Screw: Stainless.
 * Fish Line: Nylon.

UNIT: mm		
TOLERANCE	.X ±0.25	
.XX ±0.1		
.XXX ±0.05		
ANGLES	±1°	

TITLE X-Lok C-Size Waterproof Cap For Male Conn.			
SCALE 2:1	SIZE A4	SHEET 1 OF 1	
REV. B	WC-REV. A.7	⌀ : Inspection item	

Amphenol LTW
 安費諾亮泰企業股份有限公司

ITEM NO. CAP-WACMQMD1	DRAWN BY Frank Deng	DATE 2017-02-08
DWG NO. CAP-WACMQMD1	CHECKED BY Spring Liu	DATE 2017-02-08
CUSTOMER ALTW	APPROVED BY Kevin Liu	DATE 2017-02-08

A B C D E F