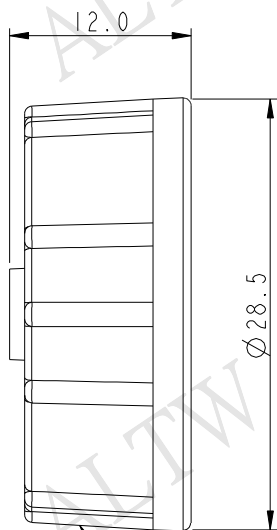
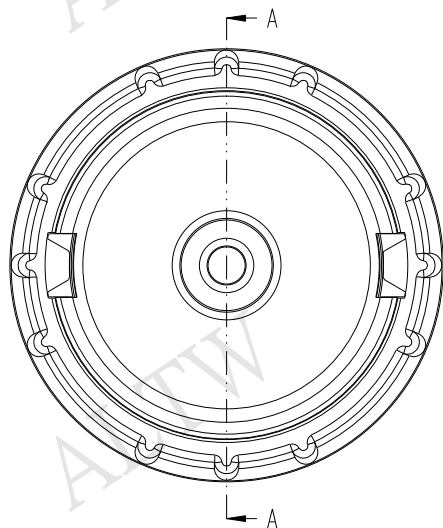
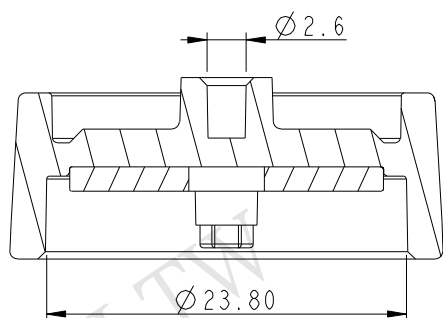
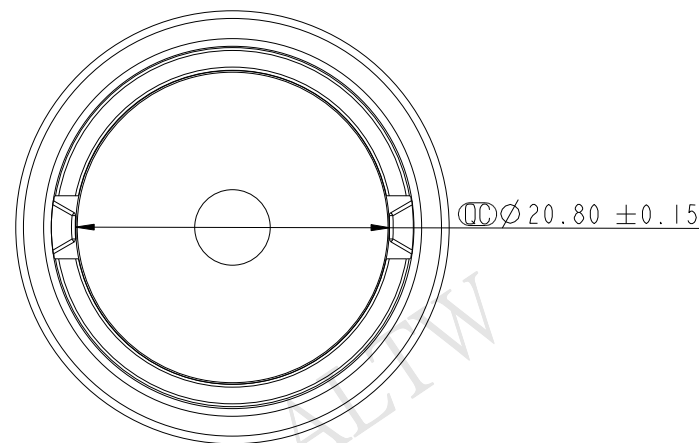


REV.	ECN NO.	DATE	SIGN	DESCRIPTION
A		2014-07-29	Feng_Li	Change 01 To A

ALTW
CONFIDENTIAL
 2014-07-29
 R&D DEPT.



Gasket



Section A-A

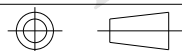
1 Waterproof Cap

ALTW
 DCC. DEPT.
 CONFIDENTIAL
 2014.08.08
 ISSUED

Note:

- * \varnothing Important Dimension To Check.
- * Waterproof Rate: IP67.
- * Cap: Nylon+GF, Black.
- * Gasket: Sillicone 60, Black.

UNIT: mm



TOLERANCE
 .X ±0.25
 .XX ±0.1
 .XXX ±0.05
 ANGLES ±1°

TITLE
 Waterproof Cap For Male Conn.
 D Size Lock Type (Use in USB & RJ)

SCALE 2:1 SIZE A4 SHEET 1 OF 1
 REV. A WC-REV. A.1 \varnothing : Inspection item

Amphenol LTW
 安費諾亮泰企業股份有限公司

ITEM NO	CAP-WADMLMA2	DRAWN BY	Feng_Li	DATE	2014-07-29
DWG NO	CAP-WADMLMA2	CHECKED BY	Di_Lu	DATE	2014-07-29
CUSTOMER	ALTW	APPROVED BY	Jerry	DATE	2014-07-29

THIS DOCUMENT IS SUBJECT TO CHANGE WITHOUT NOTICE. IT IS CONFIDENTIAL AND A PROPERTY OF AMPHENOL LTW. DISCLOSURE TO THIRD PARTY HAS TO BE AUTHORIZED BY AMPHENOL LTW.