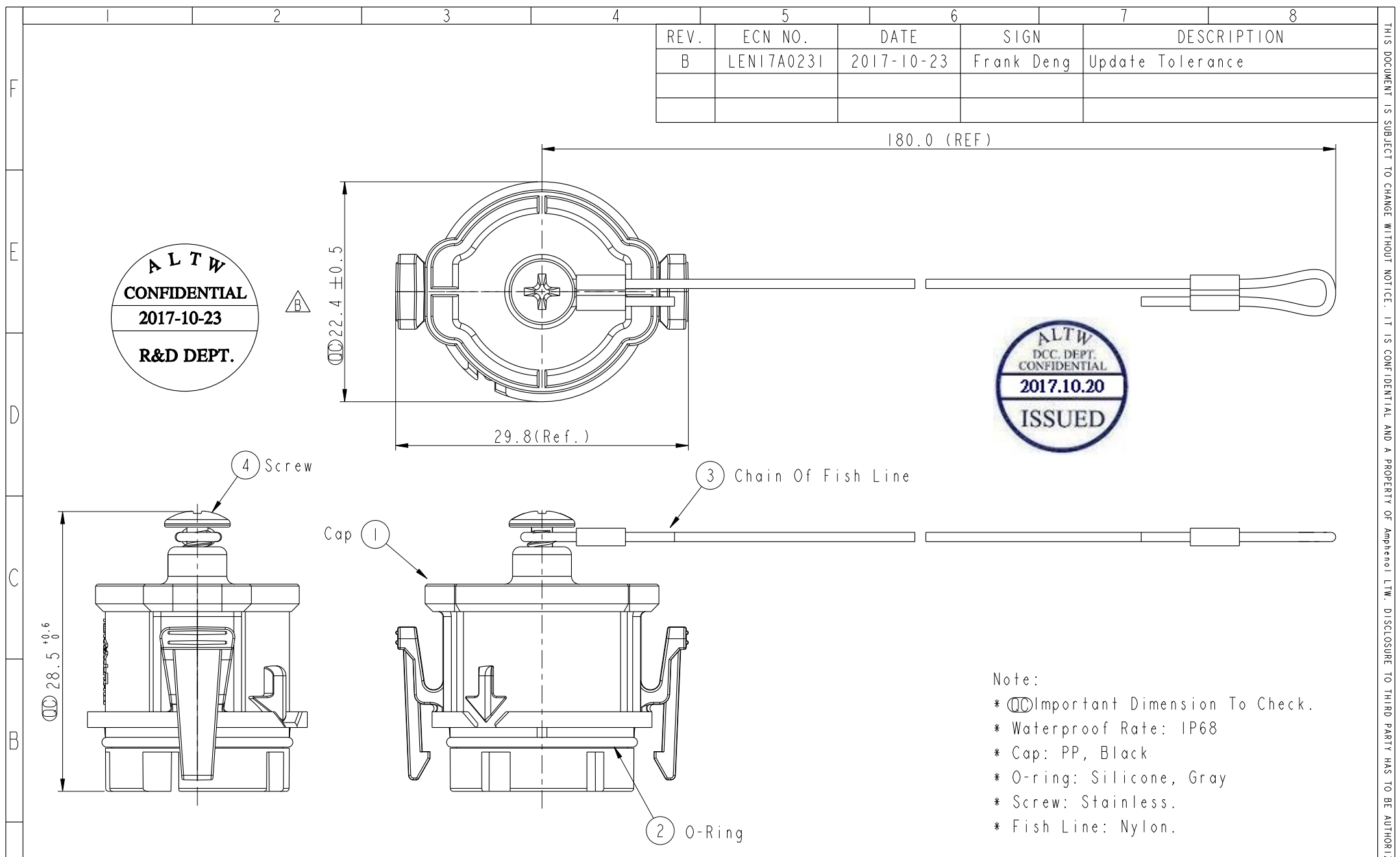


THIS DOCUMENT IS SUBJECT TO CHANGE WITHOUT NOTICE. IT IS CONFIDENTIAL AND A PROPERTY OF AMPHENOL LTW. DISCLOSURE TO THIRD PARTY HAS TO BE AUTHORIZED BY AMPHENOL LTW.

REV.	ECN NO.	DATE	SIGN	DESCRIPTION
B	LEN17A0231	2017-10-23	Frank Deng	Update Tolerance



ALTW
CONFIDENTIAL
 2017-10-23
R&D DEPT.

ALTW
 DCC. DEPT.
 CONFIDENTIAL
 2017.10.20
ISSUED

- Note:
- * \varnothing Important Dimension To Check.
 - * Waterproof Rate: IP68
 - * Cap: PP, Black
 - * O-ring: Silicone, Gray
 - * Screw: Stainless.
 - * Fish Line: Nylon.

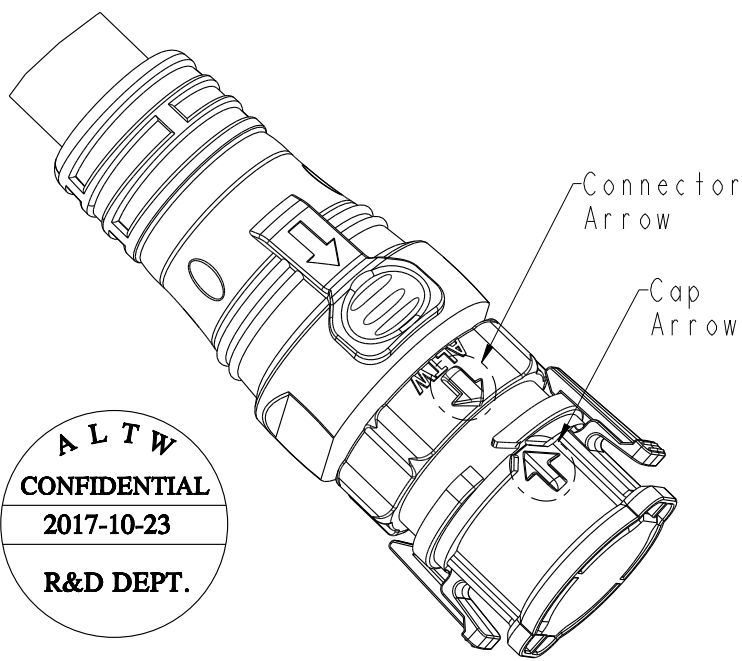
UNIT: mm TOLERANCE .X ±0.25 .XX ±0.1 .XXX ±0.05 ANGLES ±1°		TITLE X-Lok D-Size Waterproof Cap For Male Conn With Fish Line			Amphenol LTW 安費諾亮泰企業股份有限公司	ITEM NO CAP-WADMQMD1	DRAWN BY Frank Deng	DATE 2017-10-23
		SCALE 2:1	SIZE A4	SHEET 1 OF 2		DWG NO CAP-WADMQMD1	CHECKED BY Fisher Wang	DATE 2017-10-23
REV. B	WC-REV. A.6	QC: Inspection item	CUSTOMER ALTW	APPROVED BY Kevin Hu	DATE 2017-10-23			

THIS DOCUMENT IS SUBJECT TO CHANGE WITHOUT NOTICE. IT IS CONFIDENTIAL AND A PROPERTY OF Amphenol LTW. DISCLOSURE TO THIRD PARTY HAS TO BE AUTHORIZED BY Amphenol LTW.

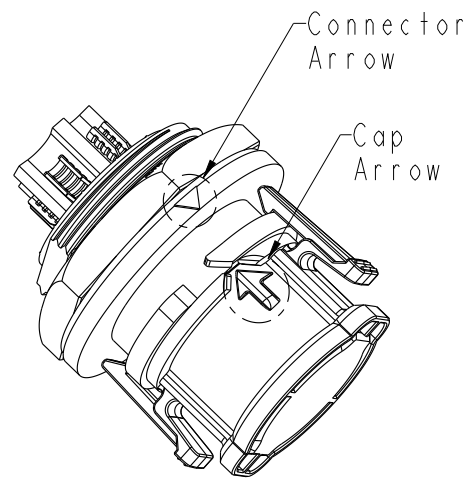


Assembly instruction:

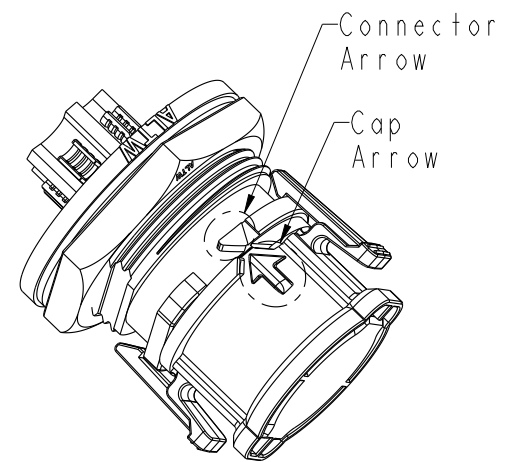
*** Please align the cap arrow to connector arrow.**



Cap & Overmolded with cable



Cap & Receptacle (Rear Mount)



Cap & Receptacle (Front Mount)

UNIT: mm TOLERANCE .X ±0.25 .XX ±0.1 .XXX ±0.05 ANGLES ±1°	TITLE X-Lok D-Size Waterproof Cap For Male Conn With Fish Line			Amphenol LTW 安費諾亮泰企業股份有限公司		ITEM NO CAP-WADMQMD1	DRAWN BY Frank Deng	DATE 2017-10-23
	SCALE 2:1	SIZE A4	SHEET 2 OF 2			DWG NO CAP-WADMQMD1	CHECKED BY Fisher Wang	DATE 2017-10-23
	REV. B	WC-REV. A.6	(QC): Inspection item	CUSTOMER ALTW	APPROVED BY Kevin Hu	DATE 2017-10-23		
								8 FMW10702-01-02A1