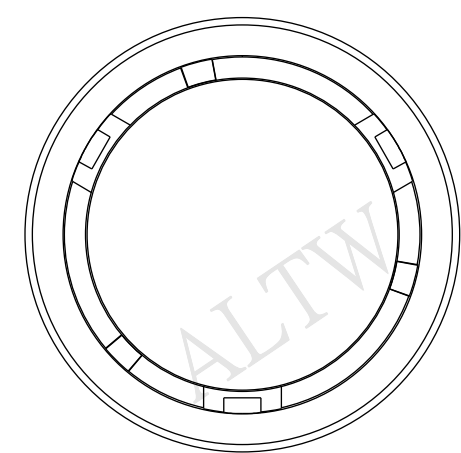
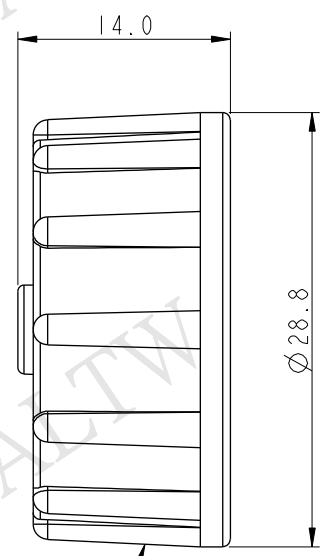
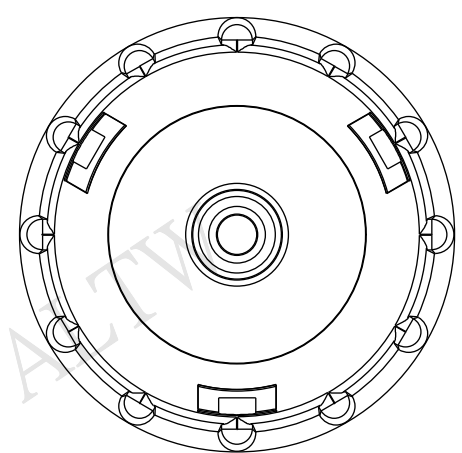


THIS DOCUMENT IS SUBJECT TO CHANGE WITHOUT NOTICE. IT IS CONFIDENTIAL AND A PROPERTY OF Amphenol LTW. DISCLOSURE TO THIRD PARTY HAS TO BE AUTHORIZED BY Amphenol LTW.

REV.	ECN NO.	DATE	SIGN	DESCRIPTION
A	Initial Release	2014/12/02	Ann	Change Rev.01 To Rev.A



Waterproof Cap ①

ALTW
 CONFIDENTIAL
 2014-12-02
 R&D DEPT.

ALTW
 DCC. DEPT.
 CONFIDENTIAL
 2014.12.03
 ISSUED

Note:
 * Ⓞ Important Dimension To Check.
 * Waterproof Rate: IP67.
 * Cap: Nylon+GF, Black.
 * Gasket: EPDM, Black.

UNIT: mm TOLERANCE .X ±0.25 .XX ±0.1 .XXX ±0.05 ANGLES ±1°		TITLE WATERPROOF CAP, D SIZE, RJ 1" - 20UNEF, MALE CONN, 3點 LOCK			Amphenol LTW 安費諾亮泰企業股份有限公司	ITEM NO CAP-WADMTMA1	DRAWN BY Ann	DATE 2014-12-02
		SCALE 2:1	SIZE A4	SHEET 1 OF 1		DWG NO CAP-WADMTMA1	CHECKED BY Kris	DATE 2014-12-02
		REV. A	WC-REV. A.1	Ⓞ: Inspection item		CUSTOMER ALTW	APPROVED BY Win	DATE 2014-12-02