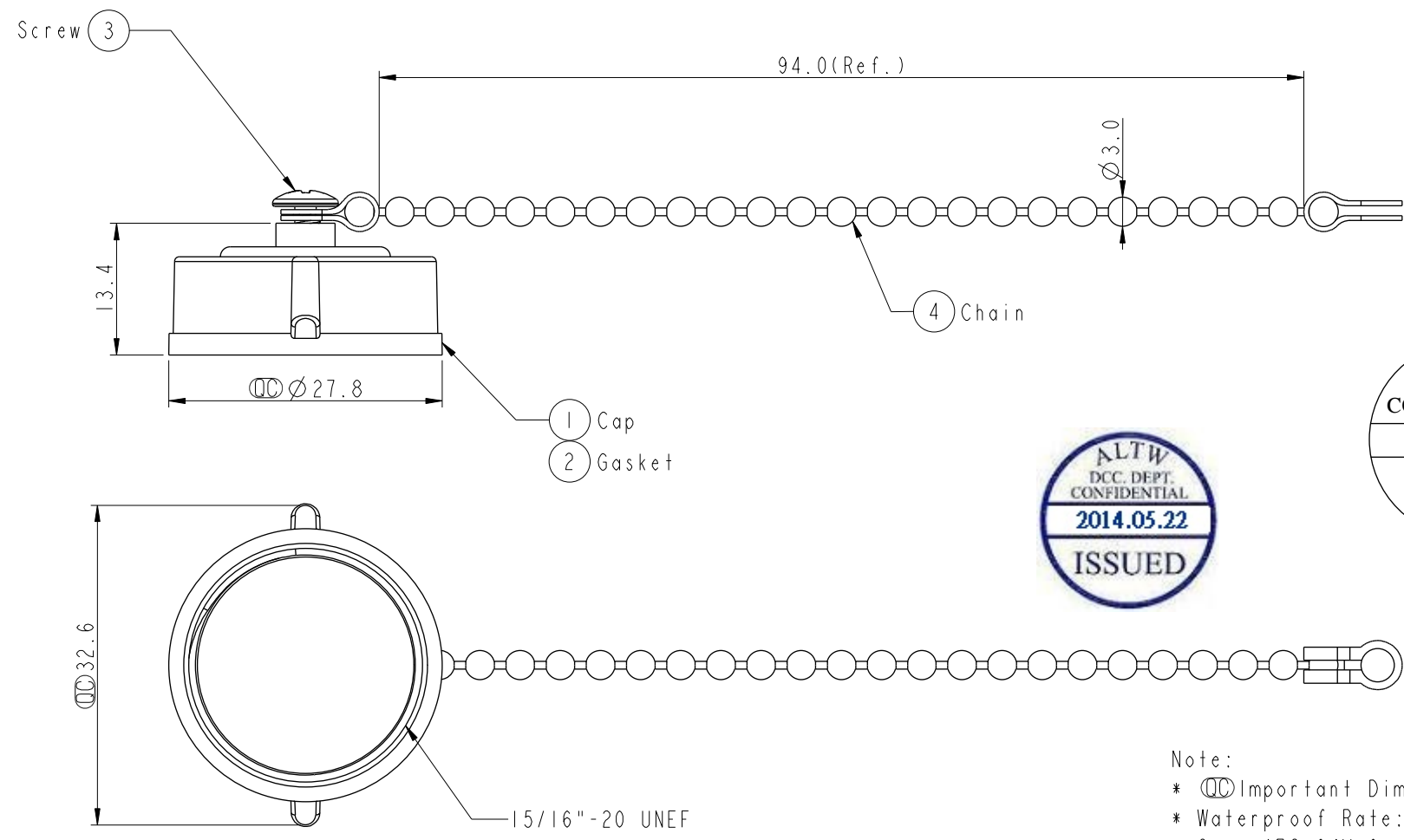


THIS DOCUMENT IS SUBJECT TO CHANGE WITHOUT NOTICE. IT IS CONFIDENTIAL AND A PROPERTY OF AMPHENOL LTW. DISCLOSURE TO THIRD PARTY HAS TO BE AUTHORIZED BY AMPHENOL LTW.

REV.	ECN NO.	DATE	SIGN	DESCRIPTION
A	Initial Release	2014/05/21	Vicky	Old Item No. CAP-WAFMSPBI



ALTW
 CONFIDENTIAL
 2014-05-21
 R&D DEPT.

ALTW
 DCC. DEPT.
 CONFIDENTIAL
 2014.05.22
 ISSUED

- Note:
- * \varnothing Important Dimensions To Check.
 - * Waterproof Rate: IP67.
 - * Cap: ABS 94V-0, Black.
 - * Gasket: EPDM, Black.
 - * Screw: Stainless.
 - * Chain: Brass, Nickel Plated.

UNIT:mm TOLERANCE ± 0.5 mm	TITLE Waterproof Cap, RJ 15/16"-20 UNEF Screw M Conn			Amphenol LTW 安費諾亮泰企業股份有限公司		ITEM NO CAP-WAFMSPBI	DRAWN BY Vicky	DATE 2014-05-21
	SCALE 3:2	SIZE A4	SHEET 1 OF 1			DWG NO CAP-WAFMSPBI	CHECKED BY Sam	DATE 2014-05-21
	REV. A	WC-REV. A.1	\varnothing : Inspection item			CUSTOMER ALTW	APPROVED BY Rita	DATE 2014-05-21