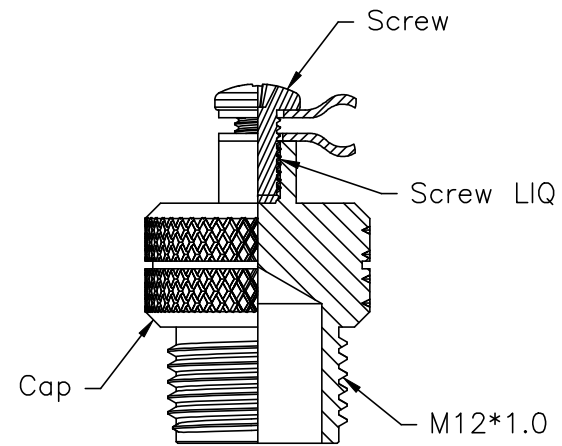
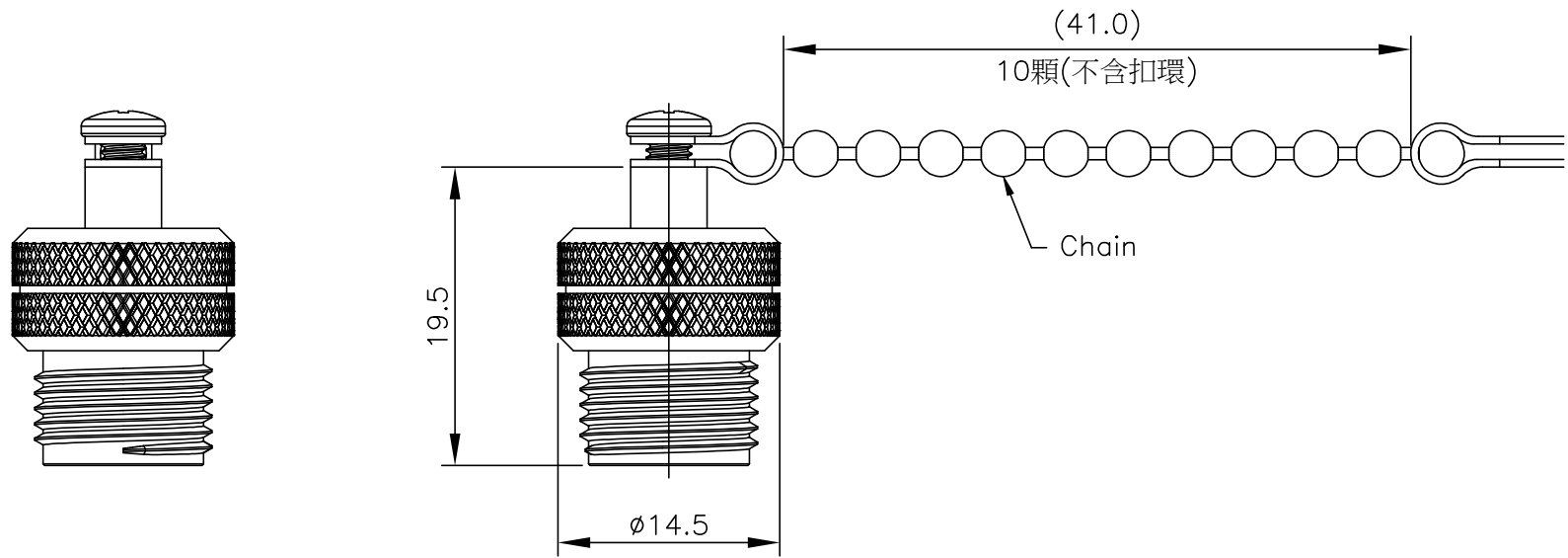


REV.	DESCRIPTION
A	Initial Release.
B	Update Item No



- Notes:
- * Waterproof Rate: IP67.
 - * Cap: Brass, Nickel Plated.
 - * Screw: Stainless Steel.
 - * M3螺絲孔需點螺絲固定劑.
 - * 螺絲鎖合扭力值3~4 Kgf.cm.



UNIT:mm		TITLE Cap (For M12 Female With Chain) M12 Screw For F Conn	Amphenol LTW 安費諾亮泰企業股份有限公司	ITEM NO CAP-WBDFSPB1	DRAWN BY Jeff Yang	DATE 2019/07/15
TOLERANCE ±0.5 mm	SCALE Free	SHEET 1 OF 1		DWG NO CAP-WBDFSPB1	CHECKED BY Fisher Wang	DATE 2019/07/15
REV. B	SIZE A4	◎ :Inspection Item		CUSTOMER ALTW	APPROVED BY Max Yang	DATE 2019/07/15
1	2	3		4	5	6

THIS DOCUMENT IS SUBJECT TO CHANGE WITHOUT NOTICE. IT IS CONFIDENTIAL AND A PROPERTY OF Amphenol LTW. DISCLOSURE TO THIRD PARTY HAS TO BE AUTHORIZED BY Amphenol LTW.