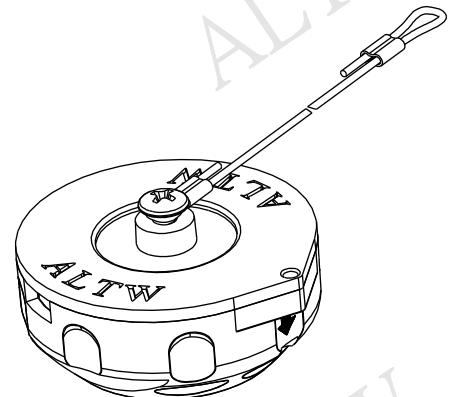
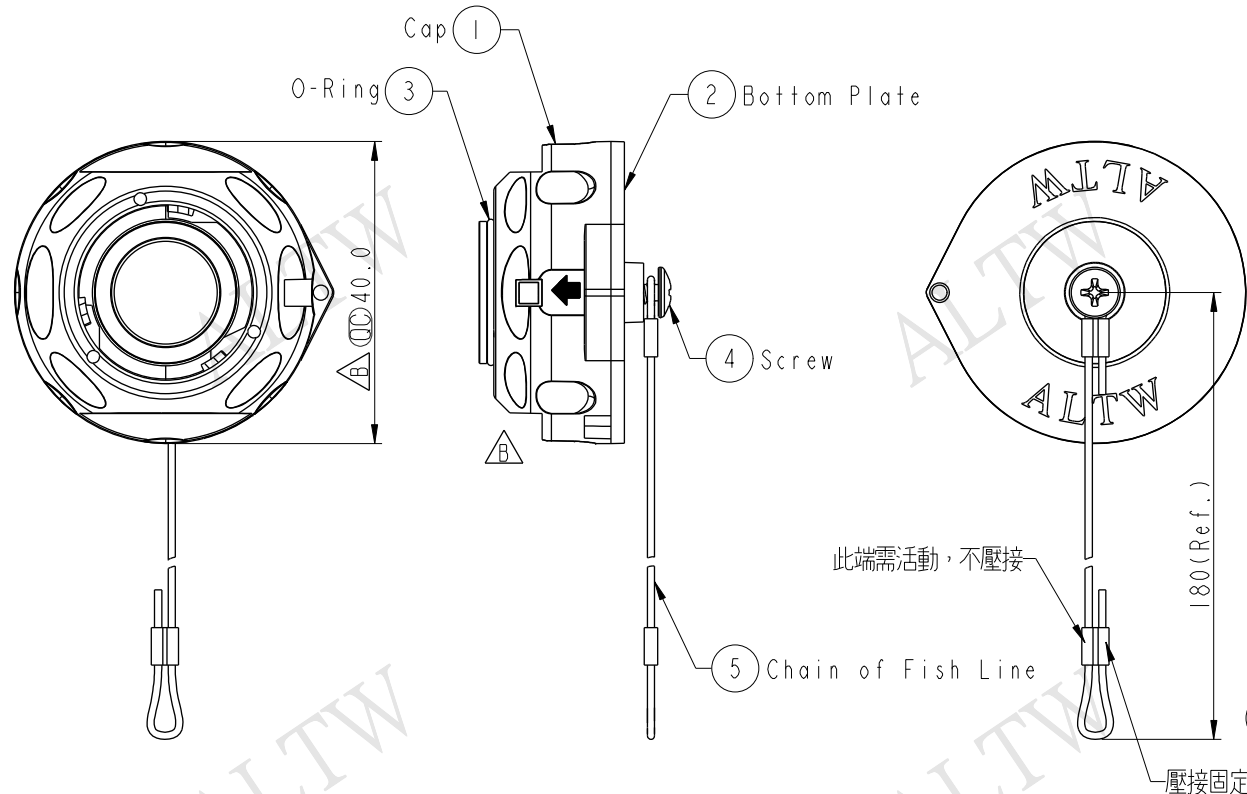
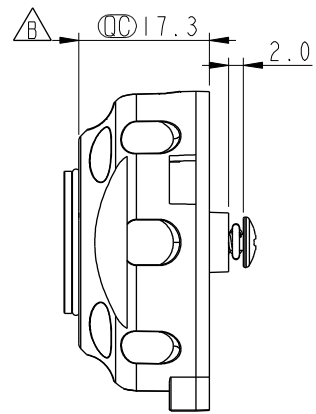
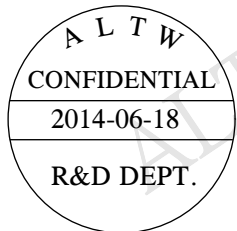


THIS DOCUMENT IS SUBJECT TO CHANGE WITHOUT NOTICE. IT IS CONFIDENTIAL AND A PROPERTY OF Amphenol LTW. DISCLOSURE TO THIRD PARTY HAS TO BE AUTHORIZED BY Amphenol LTW.

REV.	ECN NO.	DATE	SIGN	DESCRIPTION
A	Initial Release	2013/09/10	Vicky	Old Item No. CAP-WPVMCLDI
B	LE31460120	2014/06/18	Vicky	Add Laser Mark & Dimension



- Note:
- * \varnothing Important Dimension.
 - * Waterproof Rate: IP68
IP68: 1M Depth Of Water In 24hours.
 - * Cap: PPE, Black
 - * O-Ring: Silicone, Gray
 - * Screw: Stainless
 - * Fish Line: Nylon
 - * One Set In One PE Bag.
Part Of Fish Line: Stainless
 - * Screw is not allowed to tight (Chain be revolve)
不可將螺絲鎖緊, (鏈條要可旋轉)

UNIT: mm		
TOLERANCE	.X ±0.25	
	.XX ±0.1	
	.XXX ±0.05	
ANGLES	±1°	

TITLE Waterproof Cap, For Power Male Conn, 3 Point Lock			
SCALE 1:1	SIZE A4	SHEET 1 OF 1	
REV. B	WC-REV. A.3	\varnothing : Inspection item	

Amphenol LTW
安費諾亮泰企業股份有限公司

ITEM NO. CAP-WPWTMDI	DRAWN BY Vicky	DATE 2014-06-18
DWG NO. CAP-WPWTMDI	CHECKED BY Sam	DATE 2014-06-18
CUSTOMER ALTW	APPROVED BY Rita	DATE 2014-06-18