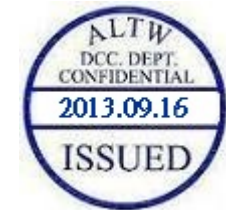
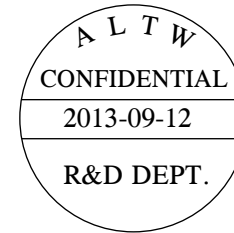
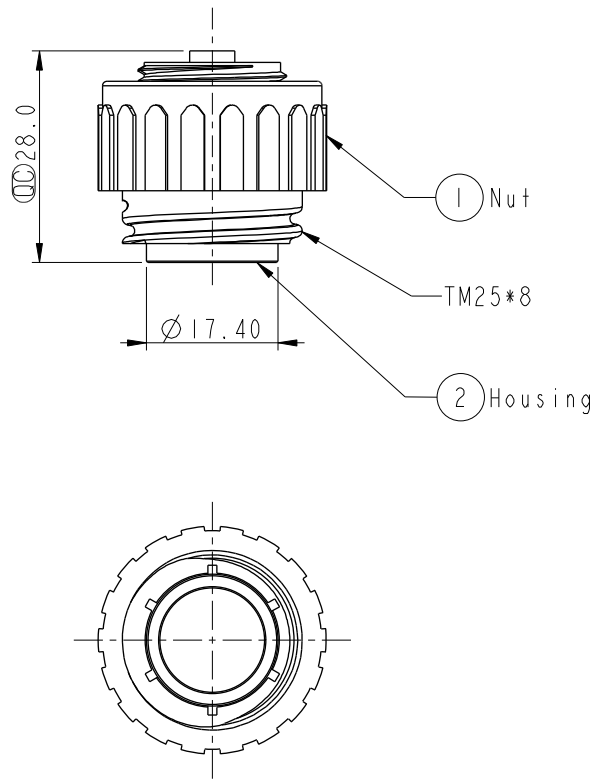


REV.	ECN NO.	DATE	SIGN	DESCRIPTION
A	Initial Release	2013/09/12	Vicky	Old Item No. CAP-WTAMFSAI



- Note:
- * $\text{\textcircled{C}}$ Important Dimension.
 - * Waterproof Rate: IP67
 - * Housing: Nylon+GF, Black
 - * Nut: Nylon+GF, Black

UNIT: mm		
TOLERANCE	±0.25	
.X	±0.1	
.XX	±0.05	
.XXX	±1°	
ANGLES		

TITLE Power Waterproof Cap TM25*8 For Female Conn Screw Type		
SCALE 1:1	SIZE A4	SHEET 1 OF 1
REV. A	WC-REV. A.2	$\text{\textcircled{C}}$: Inspection item

Amphenol LTW
安費諾亮泰企業股份有限公司

ITEM NO. CAP-WTAFSMAI	DRAWN BY Vicky	DATE 2013-09-12
DWG NO. CAP-WTAFSMAI	CHECKED BY Sam	DATE 2013-09-12
CUSTOMER ALTW	APPROVED BY Rita	DATE 2013-09-12

THIS DOCUMENT IS SUBJECT TO CHANGE WITHOUT NOTICE. IT IS CONFIDENTIAL AND A PROPERTY OF AMPHENOL LTW. DISCLOSURE TO THIRD PARTY HAS TO BE AUTHORIZED BY AMPHENOL LTW.