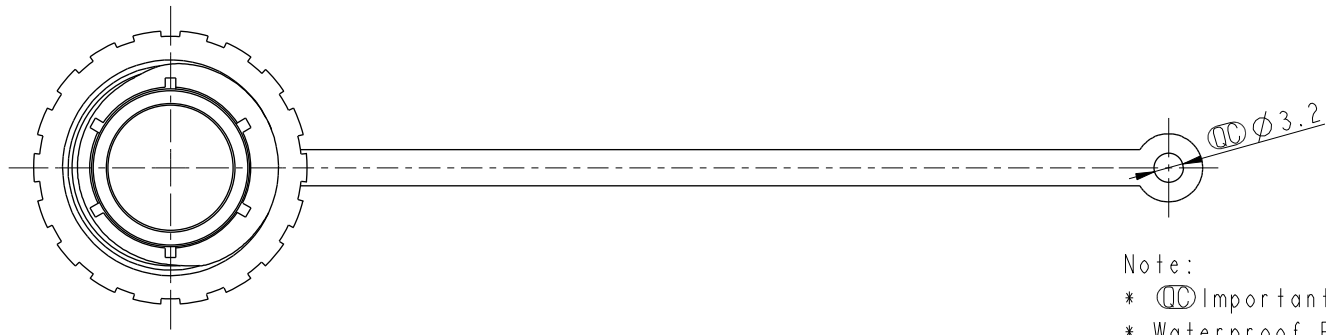
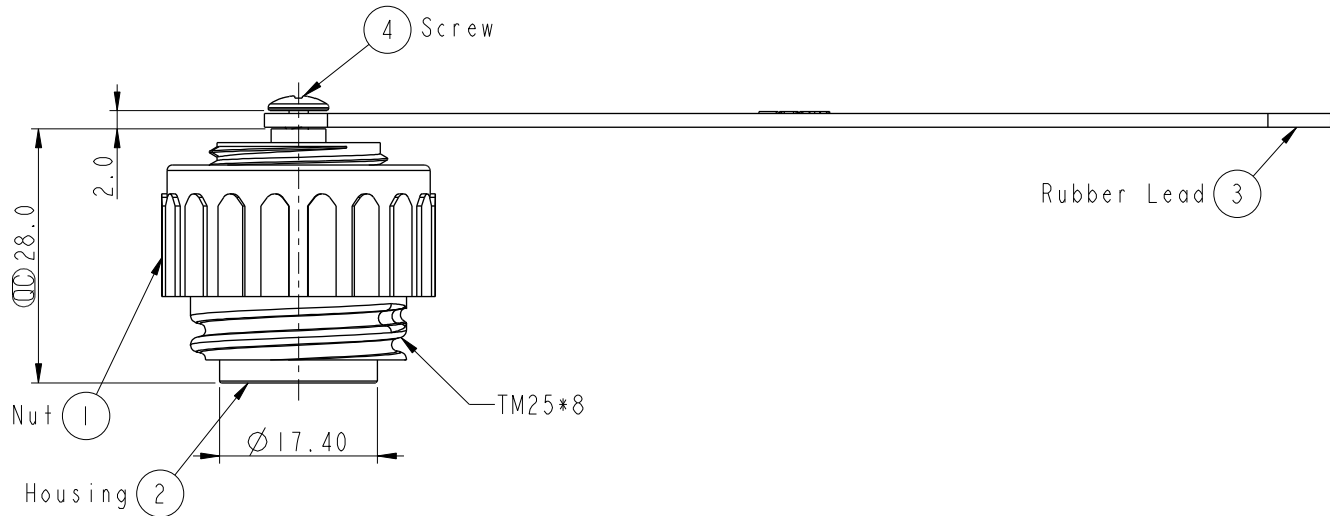


|      |                 |            |       |                           |
|------|-----------------|------------|-------|---------------------------|
| REV. | ECN NO.         | DATE       | SIGN  | DESCRIPTION               |
| A    | Initial Release | 2013/09/12 | Vicky | Old Item No. CAP-WTAMFSCI |
|      |                 |            |       |                           |
|      |                 |            |       |                           |



**ALTW**  
 CONFIDENTIAL  
 2013-09-12  
 R&D DEPT.

**ALTW**  
 DCC. DEPT.  
 CONFIDENTIAL  
 2013.09.16  
 ISSUED

Note:

- \*  $\varnothing$  Important Dimension.
- \* Waterproof Rate: IP67
- \* Housing: Nylon+GF, Black
- \* Nut: Nylon+GF, Black
- \* Rubber Lead: TPES, Black
- \* Screw is not allowed to tight (Chain be revolve)

不可將螺絲鎖緊，(鏈條要可旋轉)

|   |                       |   |                   |                                      |                                 |                                |                           |
|---|-----------------------|---|-------------------|--------------------------------------|---------------------------------|--------------------------------|---------------------------|
| <b>UNIT:mm</b><br>TOLERANCE<br>.X ±0.25<br>.XX ±0.1<br>.XXX ±0.05<br>ANGLES ±1° |                       | <b>TITLE</b><br>Power Waterproof Cap<br>TM25*8 For Female Conn Screw Type |                   | <b>Amphenol LTW</b><br>安費諾亮泰企業股份有限公司 | <b>ITEM NO.</b><br>CAP-WTAFSPCI | <b>DRAWN BY</b><br>Vicky       | <b>DATE</b><br>2013-09-12 |
|   |                       | <b>SCALE</b><br>6:5   | <b>SIZE</b><br>A4 |                                      | <b>SHEET</b><br>1 OF 1          | <b>DWG NO.</b><br>CAP-WTAFSPCI | <b>CHECKED BY</b><br>Sam  |
| <b>REV.</b><br>A  | <b>WC-REV.</b><br>A.1 | $\varnothing$ : Inspection item   |                   | <b>CUSTOMER</b><br>ALTW              | <b>APPROVED BY</b><br>Rita      | <b>DATE</b><br>2013-09-12      | 8 FMW10702-01-02A1        |

THIS DOCUMENT IS SUBJECT TO CHANGE WITHOUT NOTICE. IT IS CONFIDENTIAL AND A PROPERTY OF Amphenol LTW. DISCLOSURE TO THIRD PARTY HAS TO BE AUTHORIZED BY Amphenol LTW.