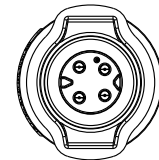
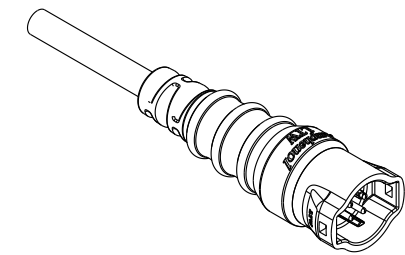
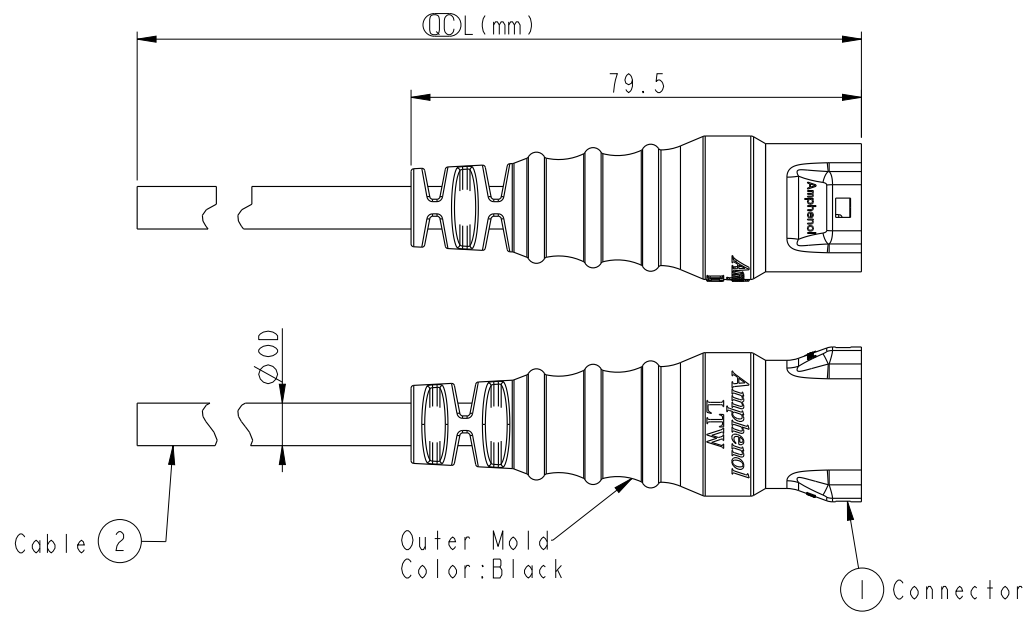
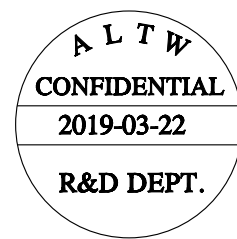


THIS DOCUMENT IS SUBJECT TO CHANGE WITHOUT NOTICE. IT IS CONFIDENTIAL AND A PROPERTY OF Amphenol LTW. DISCLOSURE TO THIRD PARTY HAS TO BE AUTHORIZED BY Amphenol LTW.

1	2	3	4	5	6	7	8
REV.	ECN NO.	DATE	SIGN	DESCRIPTION			



Conn



- Note:
- * $\varnothing L$ Important Dimension To Check.
 - * Waterproof Rate: IP68
 - * Housing: M-PPE, Black.
 - * Male Pin: Copper Alloy, Gold Plated.
 - * Cable: SJTW, 16#, PVC Jacket, UV Resistant, Black.
 - * Cable Length Tolerance: 01M: ± 40 mm
 02M~05M: ± 60 mm
 06M~10M: ± 100 mm
 11M~30M: ± 200 mm
 31M~99M: ± 500 mm
 - * Prohibiting the use of place in oils

CB-02AFMM-RL8EXX	$\varnothing 8.2$
CB-03AFMM-RL8EXX	$\varnothing 8.6$
CB-04AFMM-RL8EXX	$\varnothing 9.3$
Part No.	Cable OD

UNIT: mm		
TOLERANCE	± 0.5	

TITLE MIDDLE CABLE RBL F CONN M PIN			
SCALE 3:4	SIZE A4	SHEET 1 OF 2	
REV. A	WC-REV. A.1	$\varnothing L$: Inspection item	

Amphenol LTW
安費諾亮泰企業股份有限公司

ITEM NO.	DRAWN BY Peng	DATE 2019-03-22
DWG NO. CB-XXAFMM-RL8EXX	CHECKED BY Mafei	DATE 2019-03-22
CUSTOMER ALTW	APPROVED BY Jerry	DATE 2019-03-22

THIS DOCUMENT IS SUBJECT TO CHANGE WITHOUT NOTICE. IT IS CONFIDENTIAL AND A PROPERTY OF Amphenol LTW. DISCLOSURE TO THIRD PARTY HAS TO BE AUTHORIZED BY Amphenol LTW.

1 2 3 4 5 6 7 8

F

E

D

C

B

A

CB-XXAFMM-RL8EXX

Middle Size Current Rating 10A

XX:No. Of Pin(Pin 數)

A:Cable With S/R(線端帶網尾)

F:Female Connector(母座)

M:Male Pin(公Pin)

M:Molding Type(射出成型)

XX:01~99Meter

01:01Meter

02:02Meter

...

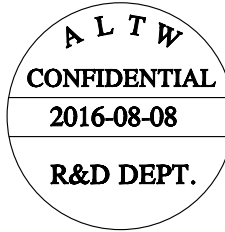
99:99Meter

E:SJTW Cable

8:IP68(防水等級 68)

L:Straight(180°)

R:Snap In With Latch(彈臂卡合式)



Pin Out	4	--	4	Green 綠	4	Green 綠
	3	White 白	3	White 白	3	White 白
	2	--	2	--	2	Red 紅
	1	Black 黑	1	Black 黑	1	Black 黑

Pin Assignments Front View			
	2Pin	3Pin	4Pin

UNIT:mm TOLERANCE ±0.5	TITLE MIDDLE CABLE RBL F CONN M PIN			Amphenol LTW 安費諾亮泰企業股份有限公司	ITEM NO	DRAWN BY Peng	DATE 2019-03-22
	SCALE 3:4	SIZE A4	SHEET 2 OF 2		DWG NO CB-XXAFMM-RL8EXX	CHECKED BY Mafei	DATE 2019-03-22
	REV. A	WC-REV. A.1	QC: Inspection item		CUSTOMER ALTW	APPROVED BY Jerry	DATE 2019-03-22

1 2 3 4 5 6 7 8 W10814-03-001A2