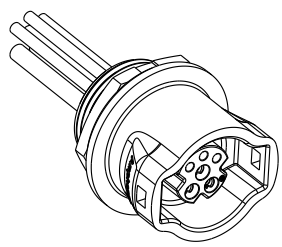
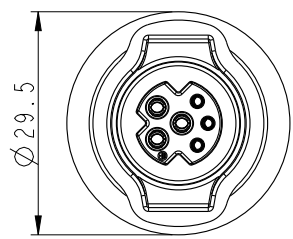
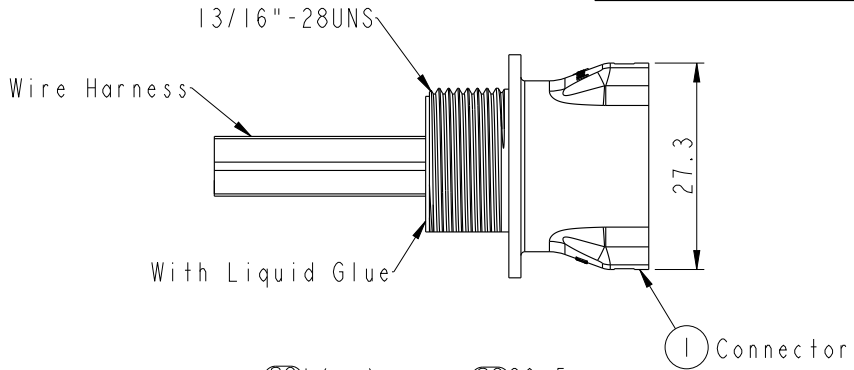
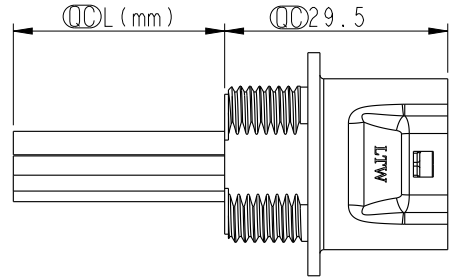
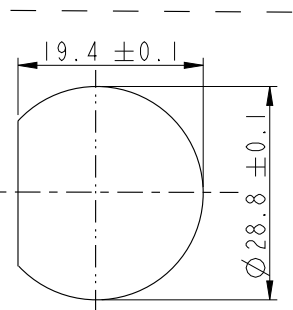


REV.	ECN NO.	DATE	SIGN	DESCRIPTION
A		2020/04/23	Peng	Initial Released

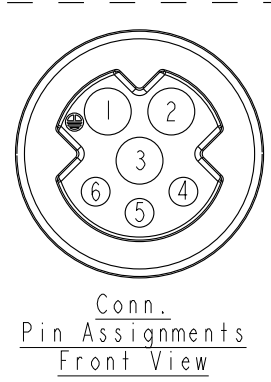


Conn.
 CBD-XXRFFS-RC8CXX
 06:6Pin
 10:100mm
 15:150mm
 20:200mm
 ...
 A0:1000mm
 Cable Pitch Unit=50mm
 Wire Length (L):100~1000 mm



Recommended Panel Cut-out

Note:
 * \varnothing Important Dimension To Check.
 * Waterproof Rate: IP68, Unmated.
 IP68:1M depth of water in 24 hours
 * Connector: Thermoplastic, Black.
 * Female Pin: Copper Alloy, Gold Plated.
 * Gasket: Rubber, Black.
 * Nut: Thermoplastic, Black.
 * Wire Harnss: UL1015
 * Panel Thickness Max: 5.0mm
 * Recommended Nut Torque: 8~10 kgf.cm
 * Wire harness Tolerance: 100mm ± 10mm
 101~300mm ± 15mm
 301~1000mm ± 20mm
 * Prohibiting the use of place in oils
 * The nut and gasket are packed separately



6	Black (20AWG)	黑
5	White (20AWG)	白
4	Green (20AWG)	綠
3	Bule (16AWG)	藍
2	Red (16AWG)	紅
1	Black (16AWG)	黑
Conn.	Wire Color	
	Pin Out	

UNIT:mm
 TOLERANCE ±0.5

TITLE
 MIDDLE
 PANEL RBL F CONN F PIN
 SCALE 1:1
 SIZE A4
 SHEET 1 OF 1
 REV. A
 WC-REV. .0
 \varnothing : Inspection item

Amphenol LTW
 安費諾亮泰企業股份有限公司

ITEM NO	DRAWN BY	DATE
DWG NO	CHECKED BY	DATE
CUSTOMER	APPROVED BY	DATE
	Peng	2020-04-23
ALTW	Feng_Li	2020-04-23
	Jerry	2020-04-23

THIS DOCUMENT IS SUBJECT TO CHANGE WITHOUT NOTICE. IT IS CONFIDENTIAL AND A PROPERTY OF Amphenol LTW. DISCLOSURE TO THIRD PARTY HAS TO BE AUTHORIZED BY Amphenol LTW.