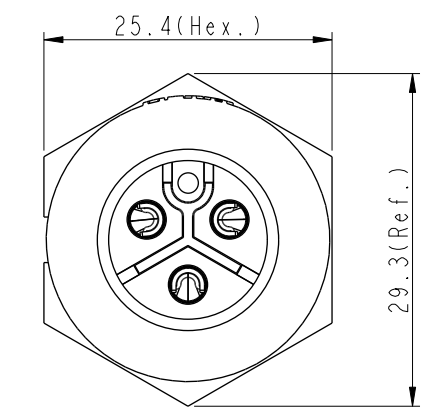
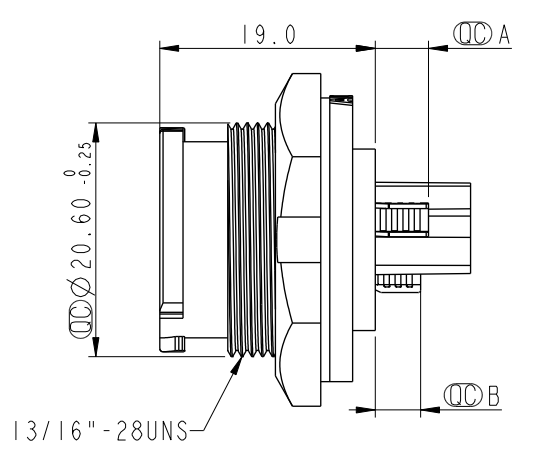
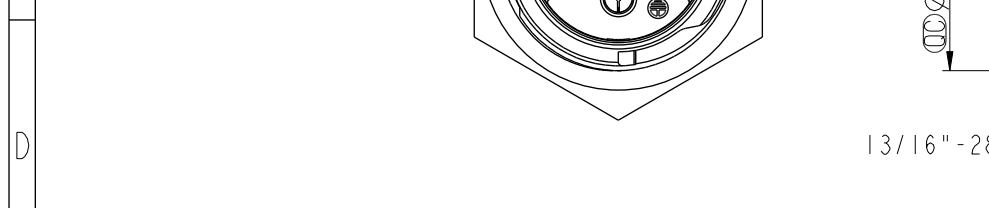
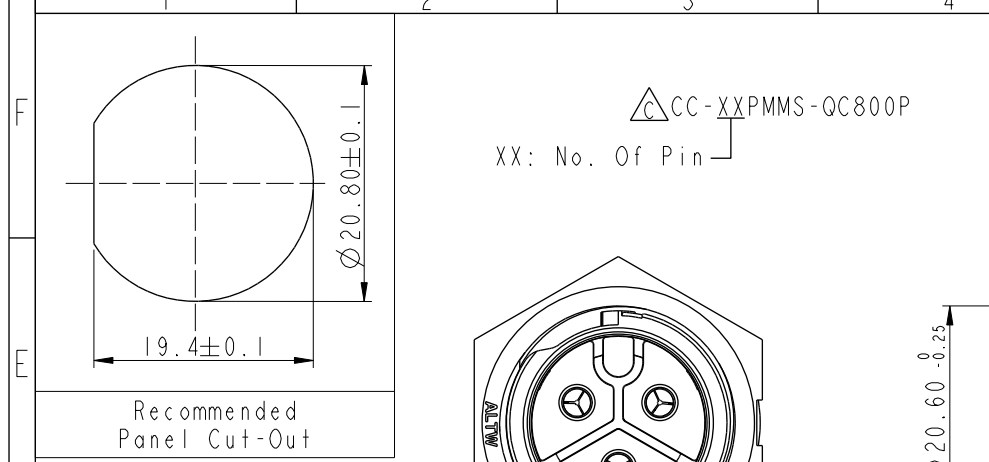
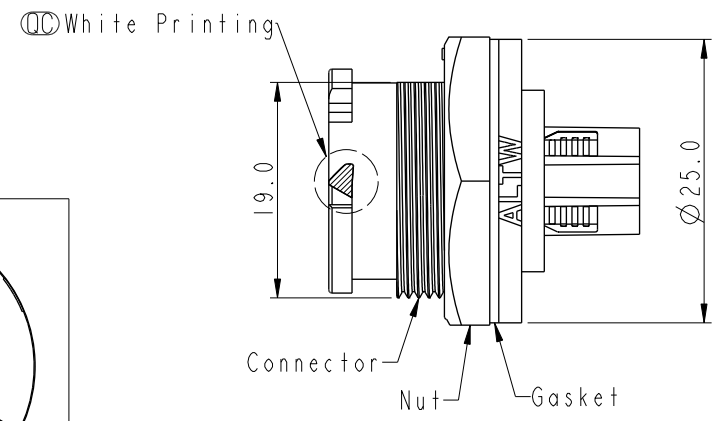
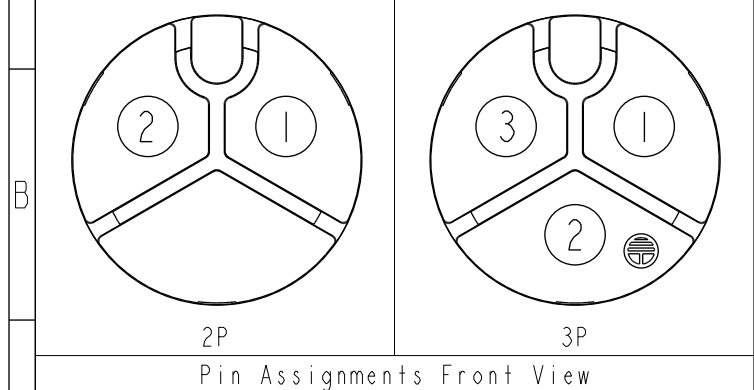


THIS DOCUMENT IS SUBJECT TO CHANGE WITHOUT NOTICE. IT IS CONFIDENTIAL AND A PROPERTY OF Amphenol LTW. DISCLOSURE TO THIRD PARTY HAS TO BE AUTHORIZED BY Amphenol LTW.

REV.	ECN NO.	DATE	SIGN	DESCRIPTION
A	Initial Release	2016/06/06	Tom_Gu	Change Rev.01 To Rev.A
B	C190470	2019/03/20	Vicky	Change Note
C	C220628	2022/05/09	Vicky	△ X5



Item No.	A	B
CC-02PMMS-QC800P	4.7	
CC-03PMMS-QC800P	4.7	4.0



- Note:
- \* RoHS Compliant
  - \* (⊘) Important dimension
  - \* Waterproof rate: IPX8, unmated 1m/24h
  - \* Connector Housing: Thermoplastic, Black
  - Pin: Copper Alloy, Gold plated
  - \* Nut: Thermoplastic, Black
  - \* Gasket: Rubber, Gray
  - \* Use with waterproof cap or dust cap
  - Panel thickness max: 3.0mm
  - \* Use without waterproof cap or dust cap
  - Panel thickness max: 4.2mm
  - \* Gasket and nut are packed separately in pe bag

UNIT: mm		TITLE XLOK, C-20A, FRONT FASTENED M, M, SOLDER, PUSH LOCK
TOLERANCE .X ±0.25 .XX ±0.1 .XXX ±0.05 ANGLES ±1°	SCALE 3:2	SIZE A4
	REV. C	SHEET 1 OF 1
	WC-REV. A.4	QC: Inspection item

**Amphenol LTW**  
安費諾亮泰企業股份有限公司

ITEM NO.	DRAWN BY Vicky	DATE 2019-03-20
DWG NO. CC-XXPMMS-QC800P	CHECKED BY Rita	DATE 2019-03-20
CUSTOMER ALTW	APPROVED BY Max	DATE 2019-03-20