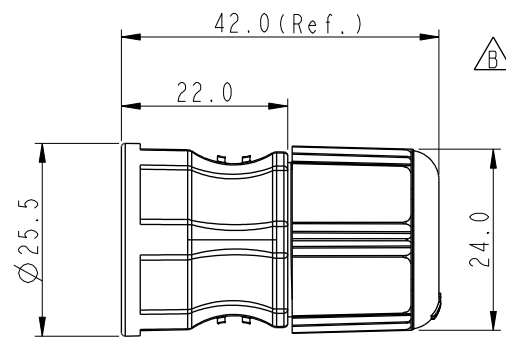
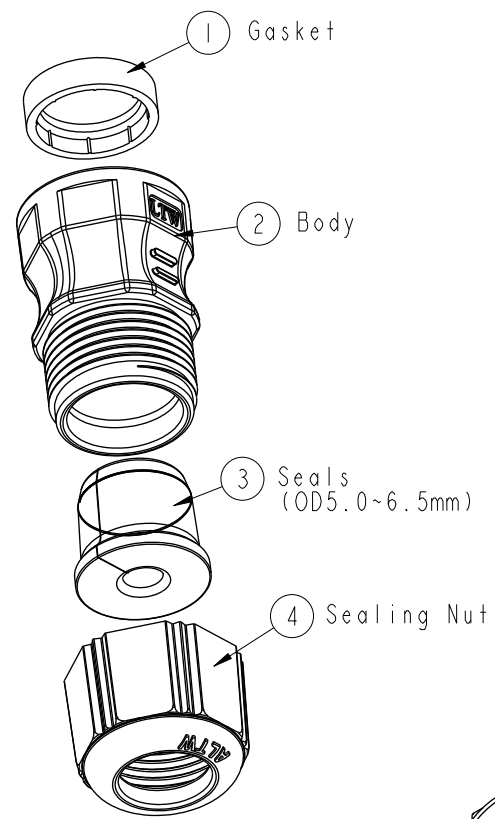


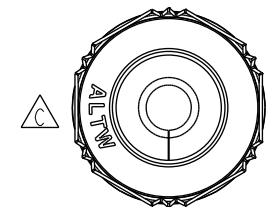
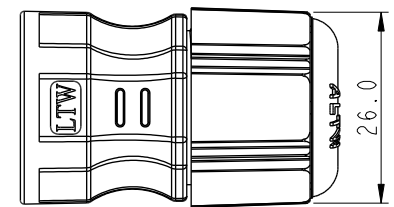
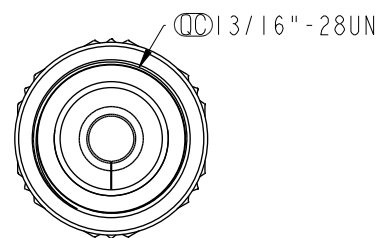
THIS DOCUMENT IS SUBJECT TO CHANGE WITHOUT NOTICE. IT IS CONFIDENTIAL AND A PROPERTY OF AMPHENOL LTW. DISCLOSURE TO THIRD PARTY HAS TO BE AUTHORIZED BY AMPHENOL LTW.

| REV. | ECN NO. | DATE | SIGN | DESCRIPTION |
|------|------------|------------|------------|-----------------------------|
| B | LE31780333 | 2017/08/01 | Lingpeng | Change The Material Of Body |
| C | C200210 | 2020/02/25 | Ruru | $\triangle C$ X3 |
| D | C201021 | 2020/07/09 | Wesley Lin | $\triangle D$ X1 |



$\triangle B \triangle C \triangle D$

- Note:
- * CC Important Dimension.
 - * Waterproof Rating: IP67
 - * Cable OD: $\varnothing 5.0 \sim \varnothing 6.5\text{mm}$
 - * Gasket: Rubber, Gray.
 - * Seals: Rubber, Gray
 - * Body: Thermoplastic, Black.
 - * Sealing Nut: PC Thermoplastic, Black.
 - * 4 只需鎖2~3牙
 - * 線材必須為充實型, 建議鎖合力為8~10Kg



| | | |
|-----------|-----------------|----------------------|
| UNIT: mm | | |
| TOLERANCE | .X ± 0.25 | .XX ± 0.1 |
| | .XXX ± 0.05 | ANGLES $\pm 1^\circ$ |

| | | | |
|--|----------------|-------------------------------|--|
| TITLE CABLE GLAND, 13/16"-28, PC 05, 6.5, BK $\triangle C$ | | | |
| SCALE 1:1 | SIZE A4 | SHEET 1 OF 1 | |
| REV. D | WC-REV. A.2 | CC : Inspection item | |

Amphenol LTW
安費諾亮泰企業股份有限公司

| | | |
|------------------------|----------------------|--------------------|
| ITEM NO. CSG-CSP001 | DRAWN BY Lingpeng | DATE 2017-08-01 |
| DWG NO. CSG-CSP001 | CHECKED BY MaFei | DATE 2017-08-01 |
| CUSTOMER ALTW | APPROVED BY Jerry | DATE 2017-08-01 |