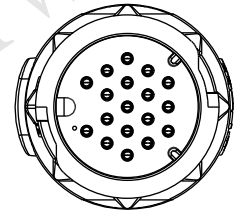
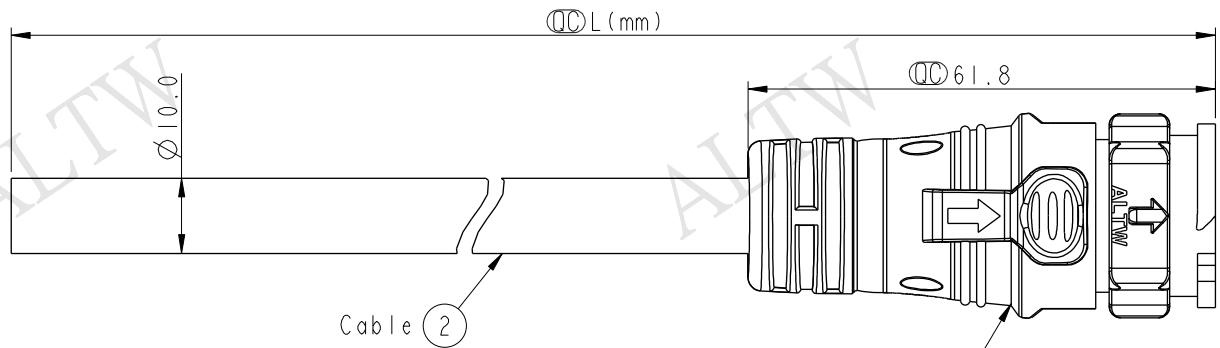
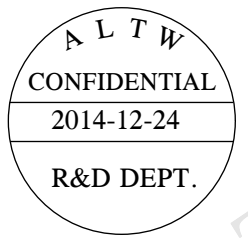


REV.	ECN NO.	DATE	SIGN	DESCRIPTION



Conn.

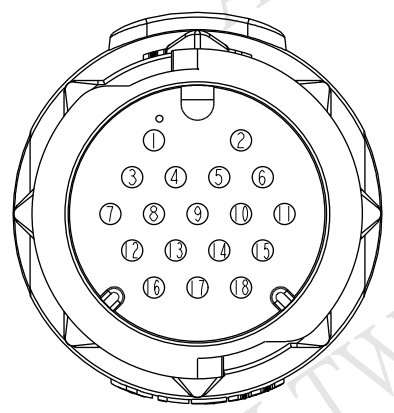
DD-18AMMM-QL8W00 ①
Color: Black



18	Blue/White	藍/白
17	Green/White	綠/白
16	Orange/White	橙/白
15	Red/White	紅/白
14	Brown/White	棕/白
13	Black/White	黑/白
12	Light Green	淡綠
11	Pink	粉紅
10	White	白
9	Gray	灰
8	Purple	紫
7	Blue	藍
6	Green	綠
5	Yellow	黃
4	Orange	橙
3	Red	紅
2	Brown	棕
1	Black	黑
Conn.	Wire Color	Pin Out

DD-18AMMM-QL8DXX
 ↑
 XX : 01~99Meters
 01 : 01Meter
 02 : 02Meters
 ...
 99 : 99Meters
 Cable Length(L): 01~99Meters

- Note:
- * Ⓞ Important Dimension To Check.
 - * Working Voltage Rating: AC 300V
 - * Working Current Rating: 5A
 - * Flame Class: UL94V-0 (UV Resistance)
 - * Waterproof Rate: IP68(Mated)
 - * Housing: Nylon+GF, Black
 - * Male Pin: Copper Alloy, Gold Plated
 - * Cable: UL21388 20AWG*18C+AL.Mylar Black, PVC Jacket UV Resistant, OD=10.0
 - * Cable Length Tolerance: 01M:±40mm
 02M-05M:±60mm
 06M~10M:±100mm
 11M~30M:±200mm
 31M~99M:±500mm



Pin Assignments
Front View

UNIT:mm
 TOLERANCE ±0.5

TITLE X-Lok D Size Cable Molding 18Pin M Connector M Pin(5A)			
SCALE 1:1	SIZE A4	SHEET 1 OF 1	
REV. A	WC-REV. A.1	Ⓞ: Inspection item	

Amphenol LTW
 安費諾亮泰企業股份有限公司

ITEM NO	DRAWN BY Micky	DATE 2014-12-24
DWG NO DD-18AMMM-QL8DXX	CHECKED BY Spring	DATE 2014-12-24
CUSTOMER ALTW	APPROVED BY Kevin	DATE 2014-12-24

THIS DOCUMENT IS SUBJECT TO CHANGE WITHOUT NOTICE. IT IS CONFIDENTIAL AND A PROPERTY OF Amphenol LTW. DISCLOSURE TO THIRD PARTY HAS TO BE AUTHORIZED BY Amphenol LTW.