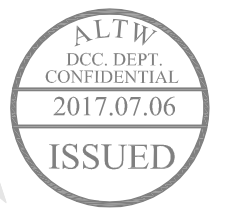
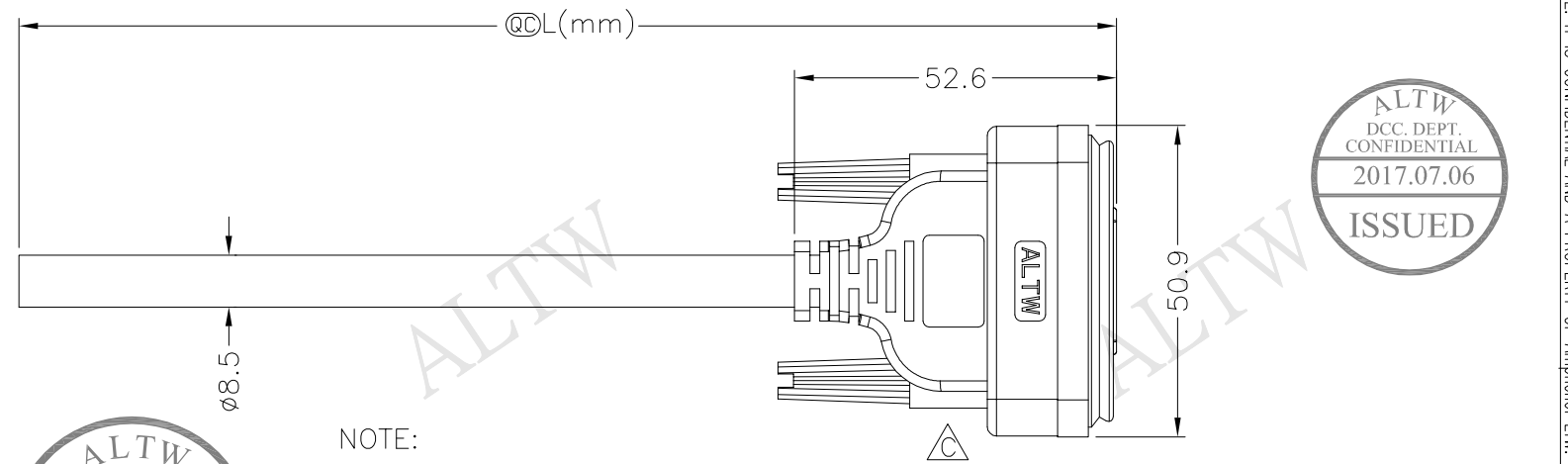
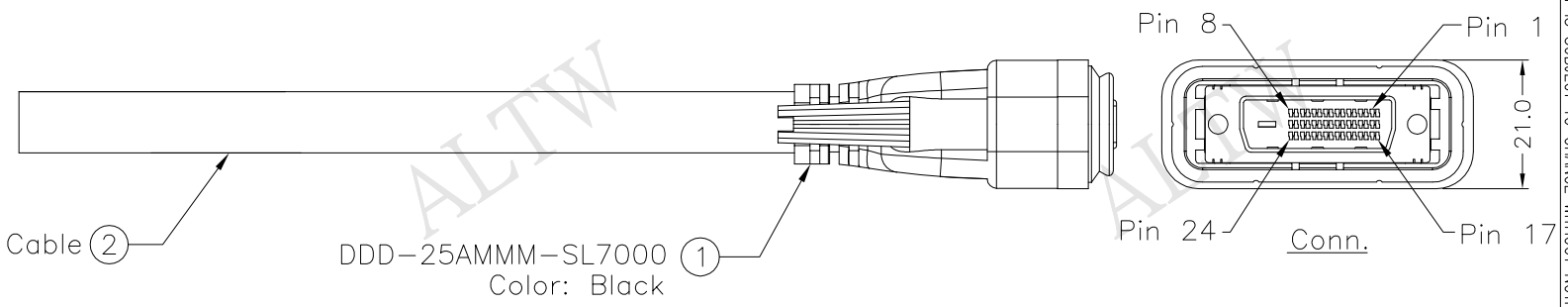


5	REV.	ECN NO.	DATE	SIGN	DESCRIPTION
B		LF3-720042	2007/01/24	Simon	Add Copper Foil
C		LEN1770023~26	2017/06/30	Ruru	Change Logo & SR

24	White	
23	Yellow	2
22	Drain	
21	Orange	
20	White	2
19	Drain	
18	Drain	
18	Black	2
17	White	
16	White	4
15	Orange	
14	Yellow	3
13	Blue	
12	White	2
11	Drain	
10	Drain	
10	Green	2
9	White	
8		
7	Purple	4
6	Red	4
5	Red	
4	White	2
3	Drain	
2	Drain	
2	Brown	2
1	White	
Conn.	Wire Color	Wire Type
	Pin Out	Wire Type



NOTE:

- \* Waterproof Rate : IP67
- \* @Q Important Dimension To Check.
- \* Housing : Black,ABS
- \* Pin : Copper Alloy,Gold Plated
- \* Gasket : Black,EPDM
- \* SCREW : Steel,Nickel Plated
- \* Cable: UL20276 (1P\*28#+D+AL+MYLAR)\*
- \* Cable Length Tolerance: 1M~5M±5%mm,
- \* DVI CONN. 的 金屬殼與銅箔及 Braid 需做導通測試且能導通

DDD-25AMMM-SL7AXX  
 XX:01-05Meters  
 01:01Meter  
 02:02Meters  
 :  
 :  
 05:05Meters  
 Cable Length (L):01~05Meters

UNIT:mm		TITLE
TOLERANCE	±0.5 mm	DDD 24+1 M Pin M Conn 180
SCALE	Free	SHEET 1 OF 1
REV.	C	SIZE A4
		@Q :Inspection Item

<b>Amphenol LTW</b>		ITEM NO	DRAWN BY	DATE
安費諾亮泰企業股份有限公司		DDD-25AMMM-SL7AXX	Ruru	2017/06/30
		CUSTOMER	CHECKED BY	DATE
		ALTW	Rita	2017/06/30
			APPROVED BY	DATE
			Max	2017/06/30

THIS DOCUMENT IS SUBJECT TO CHANGE WITHOUT NOTICE. IT IS CONFIDENTIAL AND A PROPERTY OF Amphenol LTW. DISCLOSURE TO THIRD PARTY HAS TO BE AUTHORIZED BY Amphenol LTW.