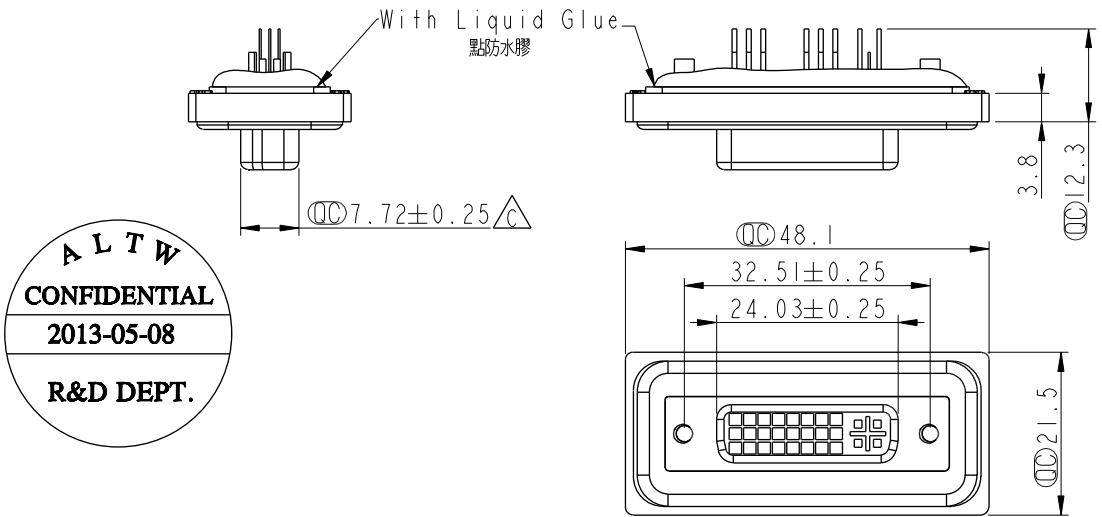
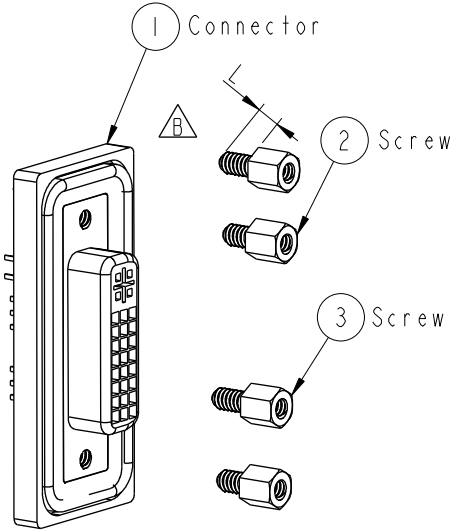


|      |            |            |          |                            |
|------|------------|------------|----------|----------------------------|
| REV. | ECN NO.    | DATE       | SIGN     | DESCRIPTION                |
| B    | LE3-710147 | 2006/12/13 | Gao Ling | Move O-ring to ZSE00100842 |
| C    | LEN1350172 | 2013/05/08 | Sam      | Modify Dimension           |



**ALTW**  
**CONFIDENTIAL**  
 2013-05-08  
**R&D DEPT.**



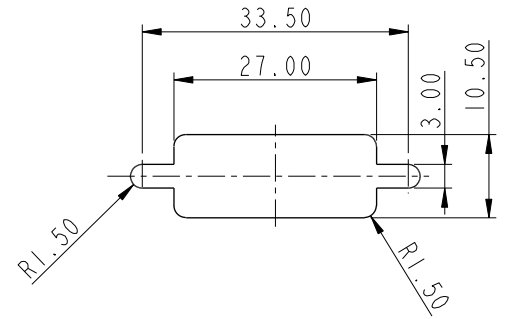
- Note:
- \*  $\varnothing$  Important Dimension.
  - \* Waterproof Rate : IP68  
 IP68: 1M of depth of water 24 hours  
 (防水等級 : IP68)  
 (IP68: 1米水深 24小時)
  - \* Do Mating Test After Glued  
 點膠後, 須作對插測試
  - \* Add glue can't highly exceed pin  
 (點膠高度不得蓋過 pin 針)
  - \*  $\Delta$  DVI Conn. : Nylon66, Black Core
  - \* Plastic Jacket : Nylon+GF, Black
  - \*  $\Delta$  Pin : Copper Alloy, Gold Plated
  - \* Ring : Light Silicone, Blue
  - \*  $\Delta$  Screw : Copper Alloy, Nickel Plated, #4-40 UNC

**ALTW**  
 DCC. DEPT.  
 CONFIDENTIAL  
 2013.05.15  
**ISSUED**



Screw L=5.0 For Panel Thickness  
 Under 1.2mm  
 適用板厚為 1.2mm 以下

Screw L=6.0 For Panel Thickness  
 Between 1.2~2.0mm  
 適用板厚為 1.2~2.0mm



Recommended Panel Cut-Out  
 建議挖孔尺寸

|  |              |                                     |
|--|--------------|-------------------------------------|
| UNIT:mm  |              | TITLE<br>Female DVI Connector(18+5) |
| TOLERANCE<br>.X ±0.25<br>.XX ±0.1<br>.XXX ±0.05<br>ANGLES ±1 | SCALE<br>1:1 | SIZE<br>A4                          |
|  | REV.<br>C    | WC-REV.<br>A.2                      |
|  |              | $\varnothing$ Inspection item       |

**Amphenol LTW**  
 安費諾亮泰企業股份有限公司

|                               |                       |                    |
|-------------------------------|-----------------------|--------------------|
| ITEM NO.<br>DIS-23PFFS-SL8001 | DRAWN BY<br>SamChang  | DATE<br>2013-05-08 |
| DWG NO.<br>DIS-23PFFS-SL8001  | CHECKED BY<br>Rita    | DATE<br>2013-05-08 |
| CUSTOMER<br>ALTW              | APPROVED BY<br>Maslow | DATE<br>2013-05-08 |

THIS DOCUMENT IS SUBJECT TO CHANGE WITHOUT NOTICE. IT IS CONFIDENTIAL AND A PROPERTY OF Amphenol LTW. DISCLOSURE TO THIRD PARTY HAS TO BE AUTHORIZED BY Amphenol LTW.