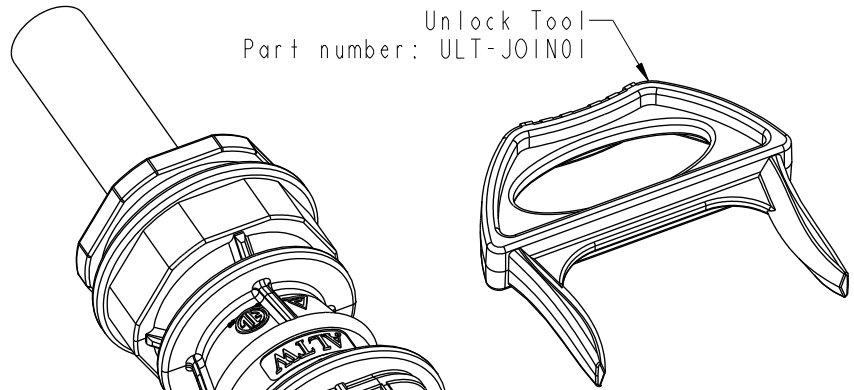


THIS DOCUMENT IS SUBJECT TO CHANGE WITHOUT NOTICE. IT IS CONFIDENTIAL AND A PROPERTY OF Amphenol LTW. DISCLOSURE TO THIRD PARTY HAS TO BE AUTHORIZED BY Amphenol LTW.

REV.	ECN NO.	DATE	SIGN	DESCRIPTION
A	Initial Released	2020/11/25	Ruru	Old Item No. CX-04BCM32-7002



☉ Laser Mark:
YYYY = Year
WW = Week

Cable Joiner Housing Part Number
FC-001BNGY-700X

Male Housing

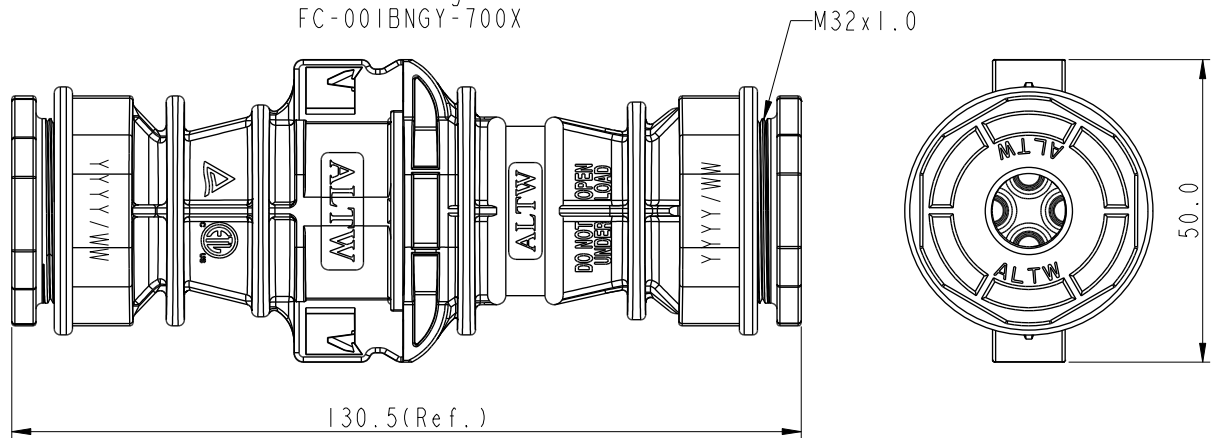
Gasket

Butt Terminal*4

Female Housing

Nut*2
Seal*2
Clamp ring*2

* FC-001BNGY-700X
UL 6703A & TUV 2pfg 1915
* Butt Terminals
UL 486A/B



Note:
 * Waterproof Rate: IP67, Mated
 * Connector: Thermoplastic, Black
 * Butt Pin: Copper alloy
 * Gasket: Rubber, Gray
 * Disassembly-Using the Unlock tool.
 * Operating Temperature : -40~+105°C
 * Withstanding Voltage : 6KV
 * Pollution Degree : III
 * Cable OD Range: 12mm~10mm
 * Wire Range: 10#~12#(4mm²~6mm²)
 * Avoid oil and gasoline
 * Recommended sealing Nut torque
 Minimum: 25Kgf-cm

UNIT:mm	
TOLERANCE	±0.5 mm

TITLE FICX, 4, 1, Field Installable Crimp, Gray			
SCALE 4:5	SIZE A4	SHEET 1 OF 1	
REV. A	WC-REV. B.3	☉: Inspection item	

Amphenol LTW
安費諾亮泰企業股份有限公司

ITEM NO. FC-041BCGY-7002	DRAWN BY Ruru	DATE 2020-11-25
DWG NO. FC-041BCGY-7002	CHECKED BY Rita	DATE 2020-11-25
CUSTOMER ALTW	APPROVED BY Max	DATE 2020-11-25