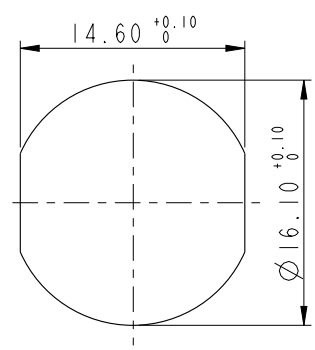
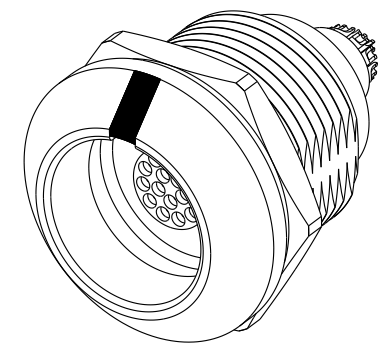
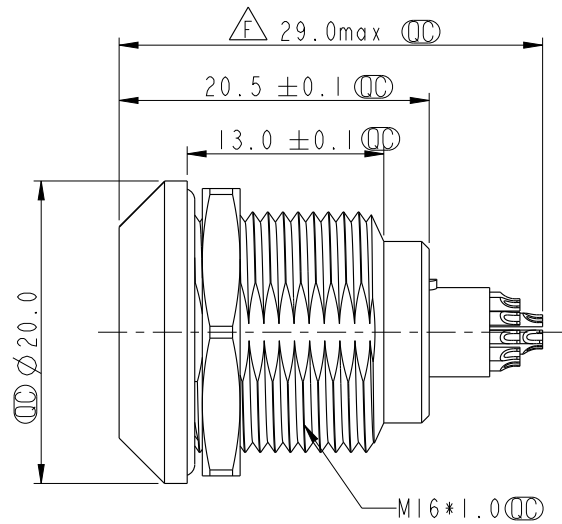
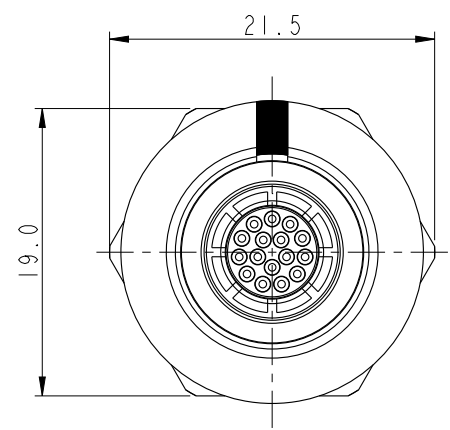
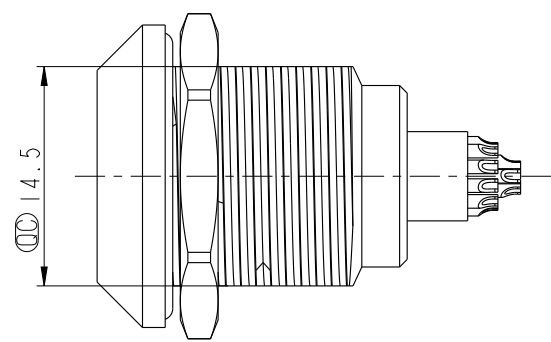


THIS DOCUMENT IS SUBJECT TO CHANGE WITHOUT NOTICE. IT IS CONFIDENTIAL AND A PROPERTY OF Amphenol LTW. DISCLOSURE TO THIRD PARTY HAS TO BE AUTHORIZED BY Amphenol LTW.

REV.	ECN NO.	DATE	SIGN	DESCRIPTION
D	C211511	2021-10-09	Ouyang	△D X2
E	C220064	2022-01-13	Ouyang	△E x1
F	C220669	2022-05-05	Ouyang	△F x1



Recommended
Panel Cut-Out
Rear View



- Note:
- * RoHS Compliant
 - * (CC) Important Dimension
 - * Waterproof Rate: IPX8, Unmated 1m/24h
 - * Connector △E
 - Housing: Thermoplastic, Ecru
 - Pin: Copper Alloy, Gold Plated
 - internal O-Ring: Rubber, Black.
 - Outer O-Ring: Rubber, Red
 - * Shield: Metal
 - * Nut: Metal
 - * Use with waterproof cap or dust cap
Panel thickness Max: 5.0mm
 - * Use without waterproof cap or dust cap
Panel thickness max: 9.0mm
 - * O-Ring and nut are assembled on connectors

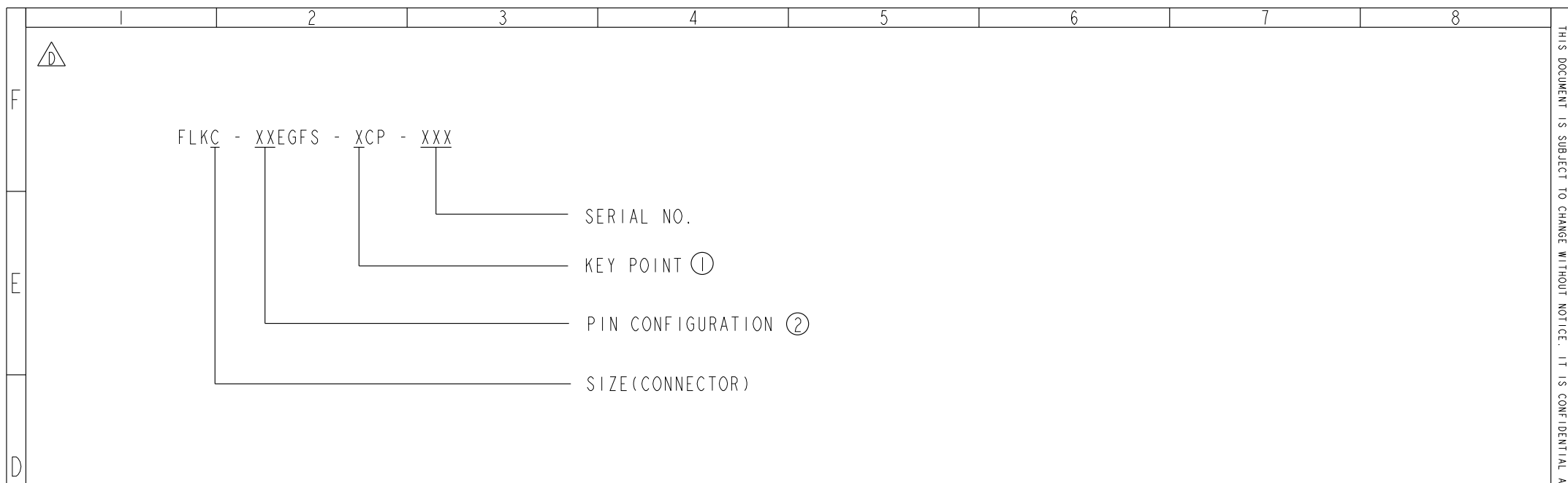
UNIT: mm		
TOLERANCE	±0.5mm	

TITLE FLO IK PANEL CONNECTOR			
SCALE 1:1	SIZE A4	SHEET 1 OF 2	
REV. F	WC-REV. .0	(CC): Inspection item	

Amphenol LTW
安費諾亮泰企業股份有限公司

ITEM NO △B	DRAWN BY Ouyang	DATE 2021-04-26
DWG NO FLKC-XXEGFS-XCP-XXX	CHECKED BY Jerry	DATE 2021-04-26
CUSTOMER ALTW	APPROVED BY Fred	DATE 2021-04-26

THIS DOCUMENT IS SUBJECT TO CHANGE WITHOUT NOTICE. IT IS CONFIDENTIAL AND A PROPERTY OF Amphenol LTW. DISCLOSURE TO THIRD PARTY HAS TO BE AUTHORIZED BY Amphenol LTW.



KEY POINT ①

CODE	G	A	B	C	D
GRAPHIC	0°	30°	45°	60°	95°

PIN CONFIGURATION (Solder Definition) ②

GRAPHIC										
	2Pin	3Pin	4Pin	5Pin	6Pin	7Pin	8Pin	10Pin	14Pin	16Pin

UNIT: mm TOLERANCE ±0.5mm	TITLE FLO IK PANEL CONNECTOR			<h1>Amphenol LTW</h1> <p>安費諾亮泰企業股份有限公司</p>	ITEM NO 	DRAWN BY Ouyang	DATE 2021-04-26
	SCALE 1:1	SIZE A4	SHEET 2 OF 2		DWG NO FLKC-XXEGFS-XCP-XXX	CHECKED BY Jerry	DATE 2021-04-26
	REV. F	WC-REV. .0	: Inspection item		CUSTOMER ALTW	APPROVED BY Fred	DATE 2021-04-26