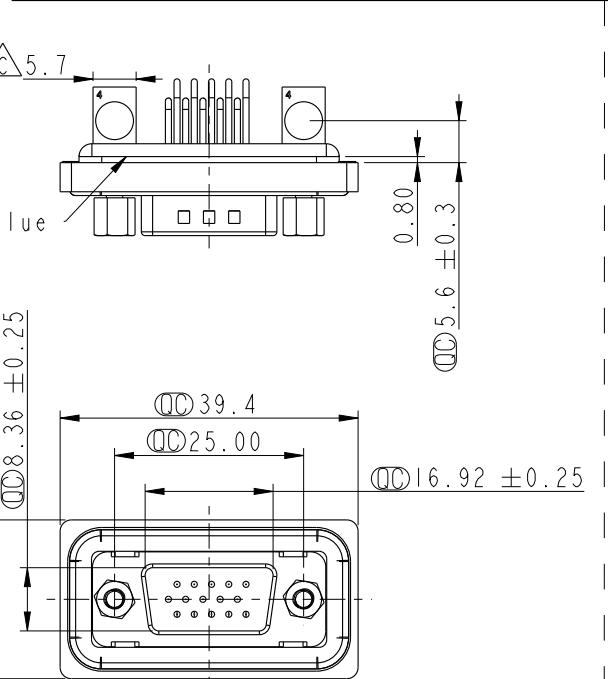
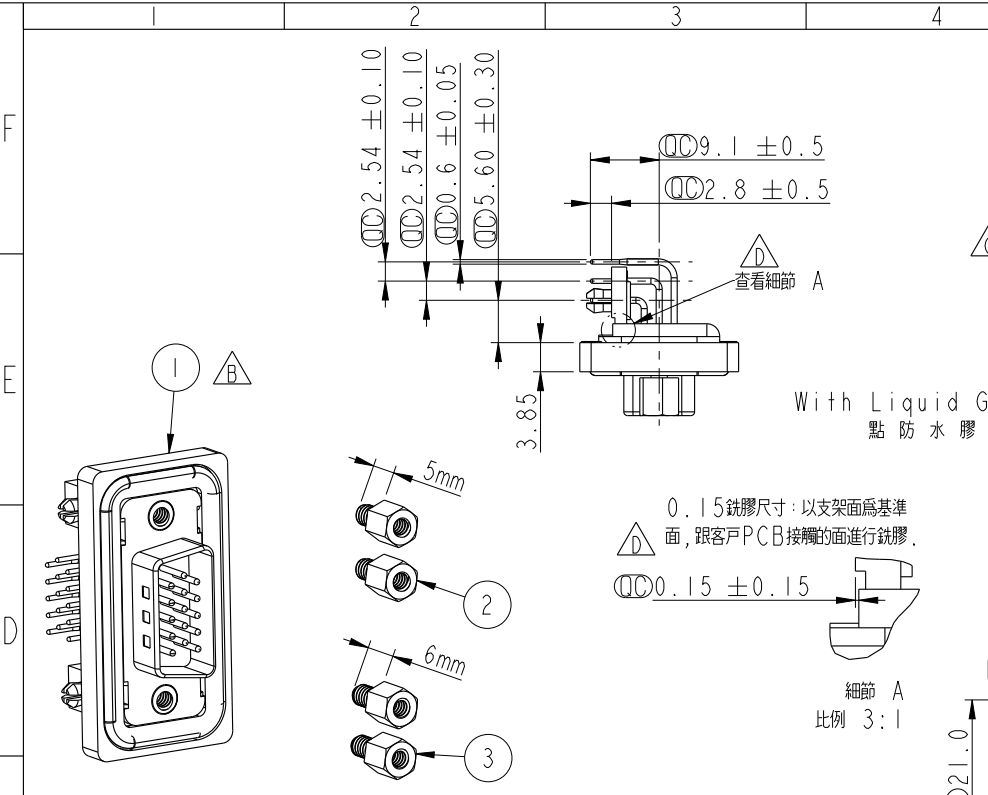


THIS DOCUMENT IS SUBJECT TO CHANGE WITHOUT NOTICE. IT IS CONFIDENTIAL AND A PROPERTY OF Amphenol LTW. DISCLOSURE TO THIRD PARTY HAS TO BE AUTHORIZED BY Amphenol LTW.

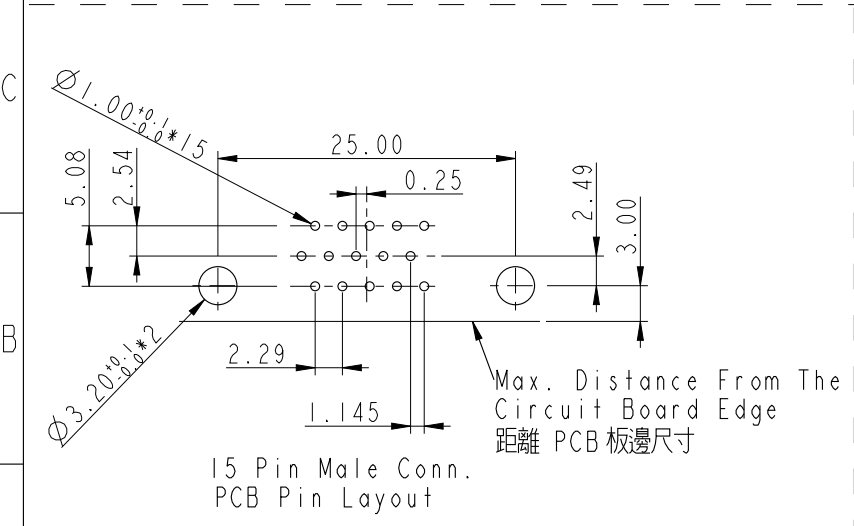
REV.	ECN NO.	DATE	SIGN	DESCRIPTION
B	LE3-710077	2006/12/18	DongYaLi	Move O-Ring To ZSE00100715
C	LENI390191	2013/09/02	Lu Di	Update Dimension
D	C200380	2020/03/30	JC Chen	$\triangle D$ XI



Panel Thickness
面板厚度
X (Max.)

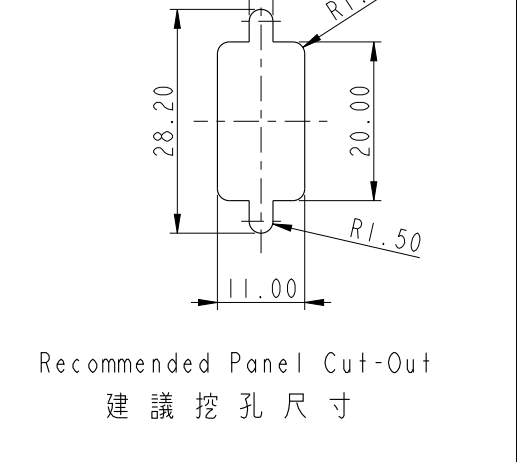
Screw L=5.0 For Panel Thickness
Under 1.2mm
適用板厚為 1.2mm 以下

Screw L=6.0 For Panel Thickness
Between 1.2~2.0mm
適用板厚為 1.2~2.0mm



Note:

- * \varnothing Important Dimension.
- * Waterproof Rate : IP68
IP68: 1M of depth of water 24 hours
(防水等級 : IP68)
(IP68: 1米水深24小時)
- * Do Mating Test After Glued
點膠後, 須作對插測試
- * HD-SUB Conn. : Black Core, PBT
- * Plastic Jacket : Black, Nylon+GF
- * Pin: Copper Alloy, Gold Plated
- * Ring: Light Blue, Silicone
- * Screw: Copper Alloy, Nickel Plated, #4-40 UNC
- * The 90° Board Lock Needs To Connect The Iron Shell
L型支架需接鐵殼



UNIT: mm			TITLE HDI5/M Conn, Panel, PCB 90° Add Board Lock
TOLERANCE .X ±0.25 .XX ±0.1 .XXX ±0.05 ANGLES ±1°	SCALE 1:1	SIZE A4	SHEET 1 OF 1
REV. D	WC-REV. A.3	\varnothing : Inspection item	

Amphenol LTW
安費諾亮泰企業股份有限公司

ITEM NO. HDB-15PMMP-SB8001	DRAWN BY Di_lu	DATE 2013/09/02
DWG NO. HDB-15PMMP-SB8001	CHECKED BY Mafei	DATE 2013/09/02
CUSTOMER ALTW	APPROVED BY Victor	DATE 2013/09/02