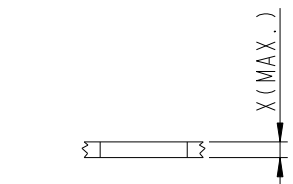
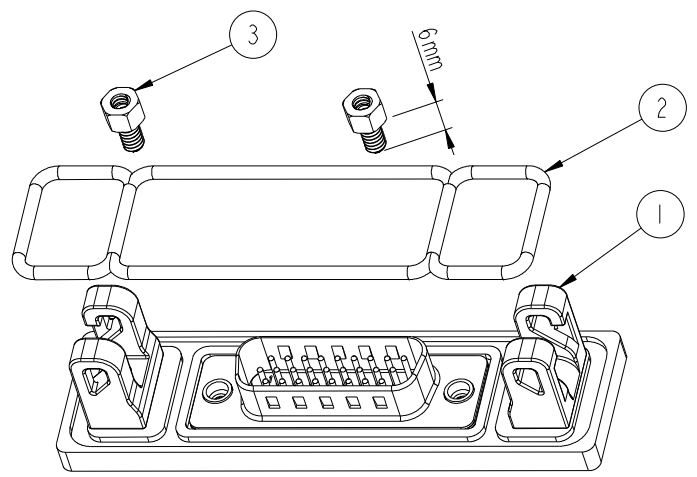


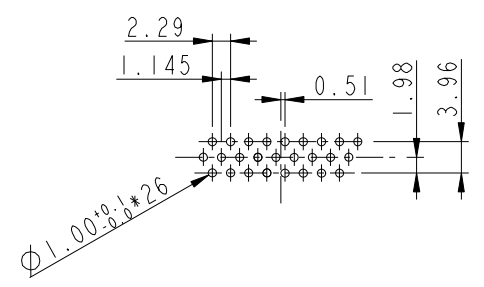
THIS DOCUMENT IS SUBJECT TO CHANGE WITHOUT NOTICE. IT IS CONFIDENTIAL AND A PROPERTY OF Amphenol LTW. DISCLOSURE TO THIRD PARTY HAS TO BE AUTHORIZED BY Amphenol LTW.

REV.	ECN NO.	DATE	SIGN	DESCRIPTION
B	LEN1390203	2013/09/02	Lu Di	Update Dimension

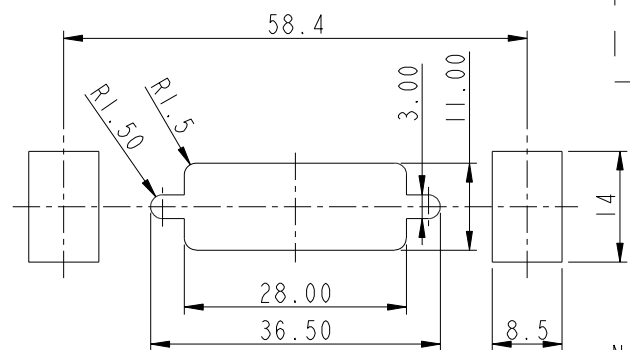
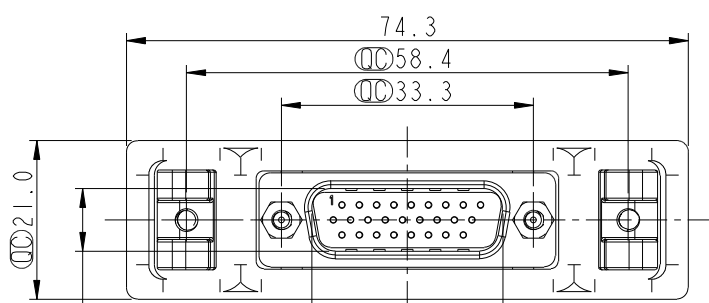


Panel Thickness

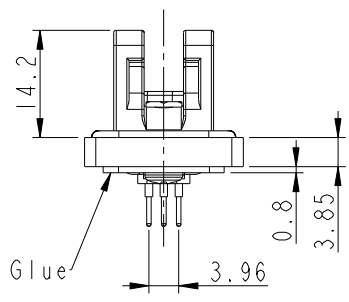
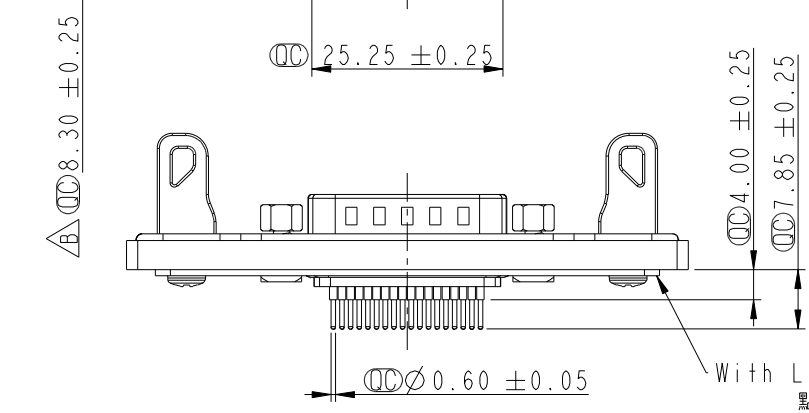
Screw L=6.0 For Panel Thickness Between 1.2~2.0mm



26 Pin Male Connector
PCB Pin Layout



Recommended Panel Cut-Out



Notes:

- * \varnothing Important Dimension.
- * Waterproof Rate : IP68
- IP68:1M of depth of water 24 hours
- * Materials:
- Panel : Zinc
- Panel Link : Zinc
- Screw : Stainless,#4-40 UNC
- O-Ring : Silicone , Black
- Insulator : PBT
- Shell : Cold Rolled Steel
- Contact : Copper Alloy
- Nut : Copper Alloy
- * Finish:
- Panel : Nickel Plated
- Panel Link : Nickel Plated
- Nut : Nickel Plated
- Shell : Nickel Plated
- Contact : Gold Flash

UNIT: mm 	TITLE D-SUB CONN PANEL QUICK HD26P M CONN M PIN			Amphenol LTW 安費諾亮泰企業股份有限公司		ITEM NO HDB-26PMMP-QL8001	DRAWN BY Di_lu	DATE 2013/09/02
	SCALE 1:1	SIZE A4	SHEET 1 OF 1			DWG NO HDB-26PMMP-QL8001	CHECKED BY Mafei	DATE 2013/09/02
	REV. B	WC-REV. A.3	QC: Inspection item	CUSTOMER ALTW	APPROVED BY Victor	DATE 2013/09/02		