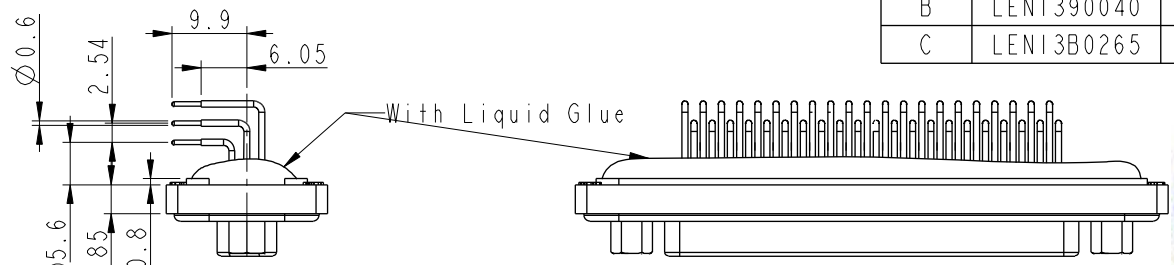


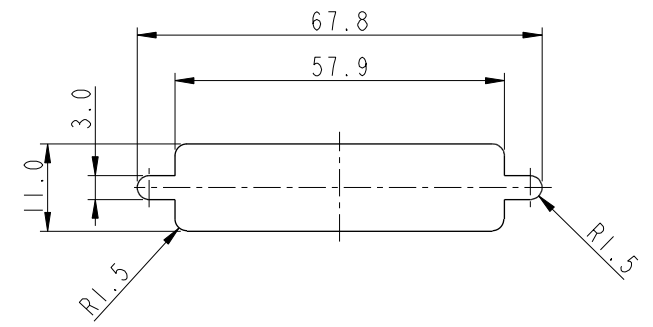
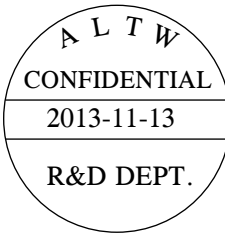
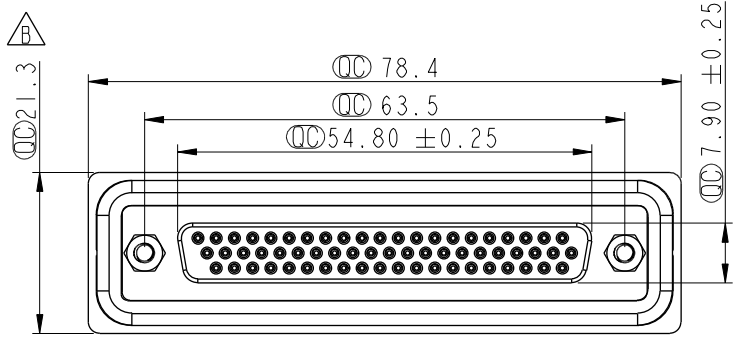
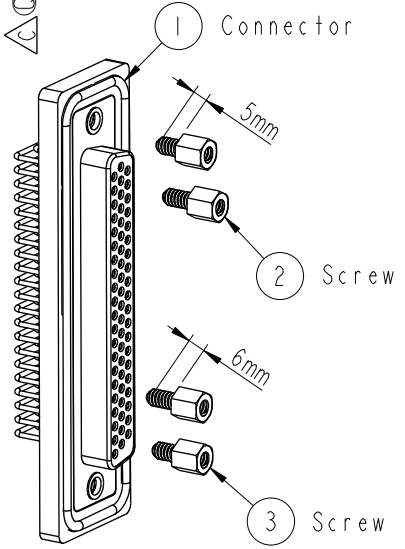
REV.	ECN NO.	DATE	SIGN	DESCRIPTION
A	Initial Release	2007/10/05	Robert Hsu	
B	LEN1390040	2013-05-14	Lu Di	Update Dimensions
C	LEN13B0265	2013-11-13	Sam	Modify Dimension



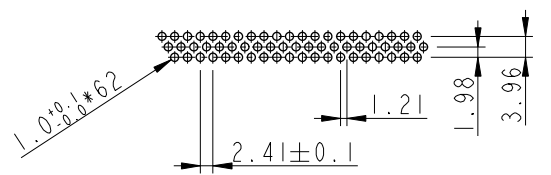
Panel Thickness
面板厚度

Screw L=5.0 For Panel Thickness
Under 1.2mm
適用板厚為 1.2mm 以下

Screw L=6.0 For Panel Thickness
Between 1.2~2.0mm
適用板厚為 1.2~2.0mm



Recommended Panel Cut-Out
建議挖孔尺寸



62 Pin Female Connector
PCB Pin Layout

- Note:
- * \varnothing Important Dimension.
 - * Waterproof Rate : IP67
 - * Do Mating Test After Glued
點膠後，須作對插測試
 - * HD-SUB Conn. : Black Core, PBT
 - * Plastic Jacket : Black, Nylon+GF
 - * Female Pin : Copper Alloy, Gold Plated
 - * Ring : Light Blue, Silicone
 - * Screw : Copper Alloy, Nickel Plated, #4-40 UNC

A	UNIT:mm			TITLE HD-Sub Conn 62 Pins PCB Type Panel Screw HDB62P F Conn F Pin				Amphenol LTW 安費諾亮泰企業股份有限公司		ITEM NO HDB-62PFFP-SR7001	DRAWN BY SamChang	DATE 2013-11-13
	TOLERANCE .X ±0.25 .XX ±0.1 .XXX ±0.05 ANGLES ±1°	SCALE 1:1	SIZE A4	SHEET 1	OF 1	REV. C	WC-REV. B.1	\varnothing : Inspection item	DWG NO HDB-62PFFP-SR7001	CHECKED BY Jeffrey	DATE 2013-11-13	
									CUSTOMER ALTW	APPROVED BY Rita	DATE 2013-11-13	

THIS DOCUMENT IS SUBJECT TO CHANGE WITHOUT NOTICE. IT IS CONFIDENTIAL AND A PROPERTY OF AMPHENOL LTW. DISCLOSURE TO THIRD PARTY HAS TO BE AUTHORIZED BY AMPHENOL LTW.