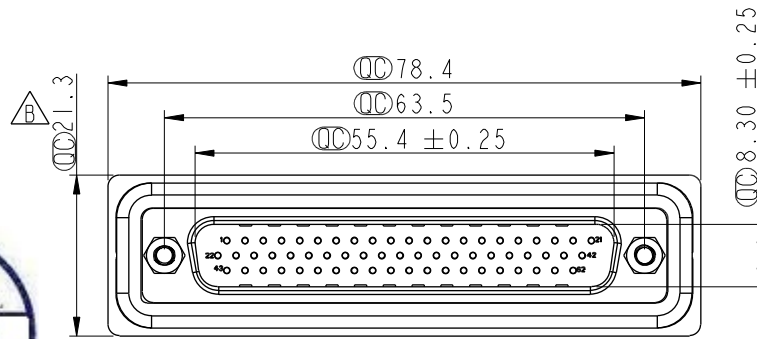
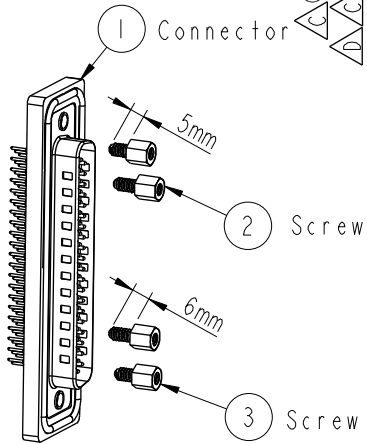
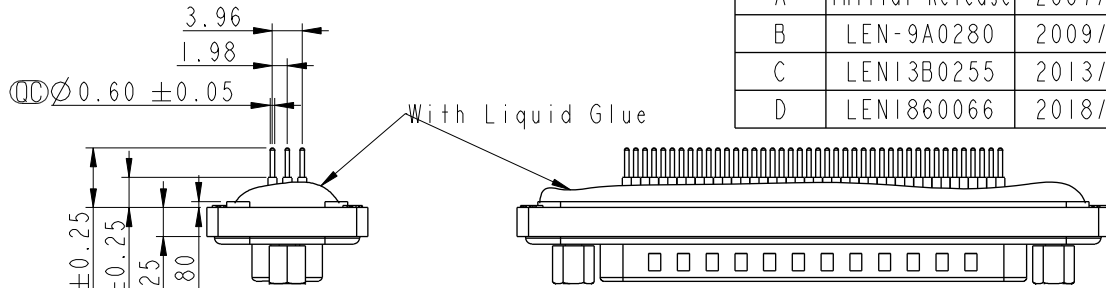
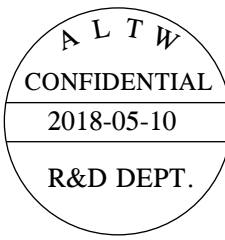


REV.	ECN NO.	DATE	SIGN	DESCRIPTION
A	Initial Release	2007/09/18	Robert Hsu	
B	LEN-9A0280	2009/10/12	Vicky	REF. TO ECR/N.NOTE.
C	LEN13B0255	2013/11/12	SAM	Modify Dimension.
D	LEN1860066	2018/05/10	Richard	Modify Dimension

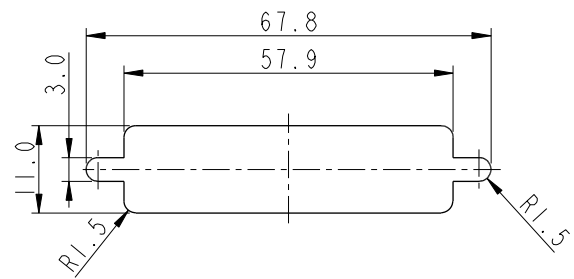


Screw L=5.0 For Panel Thickness Under 1.2mm
適用板厚為 1.2mm 以下

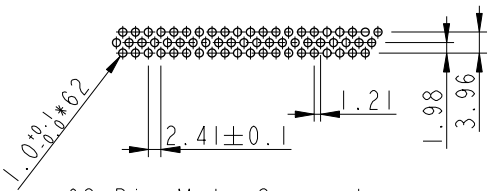
Screw L=6.0 For Panel Thickness Between 1.2~2.0mm
適用板厚為 1.2~2.0mm



- Note:
- * \varnothing Important Dimension.
 - * Waterproof Rate: IP67
 - * Do Mating Test After Glued
點膠後，須作對插測試
 - * Housing: Nylon+GF, Black.
 - * Connector: PBT, Black.
 - * Male Pin: Copper Alloy, Gold Plated.
 - * Ring: Silicone, Light Blue.
 - * Screw: Copper Alloy, Nickel Plated, #4-40 UNC.



Recommended Panel Cut-Out
建議控孔尺寸



62 Pin Male Connector
PCB Pin Layout

UNIT: mm			TITLE D-SUB Conn. Panel Screw HD62P M Conn. M Pin		
TOLERANCE .X ±0.25 .XX ±0.1 .XXX ±0.05 ANGLES ±1°			SCALE 1:1	SIZE A4	SHEET 1 OF 1
			REV. D	WC-REV. A.3	\varnothing : Inspection item

Amphenol LTW
安費諾亮泰企業股份有限公司

ITEM NO HDB-62PMMP-SL7001	DRAWN BY Richard	DATE 2018-05-10
DWG NO HDB-62PMMP-SL7001	CHECKED BY Neo	DATE 2018-05-10
CUSTOMER ALTW	APPROVED BY Max	DATE 2018-05-10

THIS DOCUMENT IS SUBJECT TO CHANGE WITHOUT NOTICE. IT IS CONFIDENTIAL AND A PROPERTY OF Amphenol LTW. DISCLOSURE TO THIRD PARTY HAS TO BE AUTHORIZED BY Amphenol LTW.