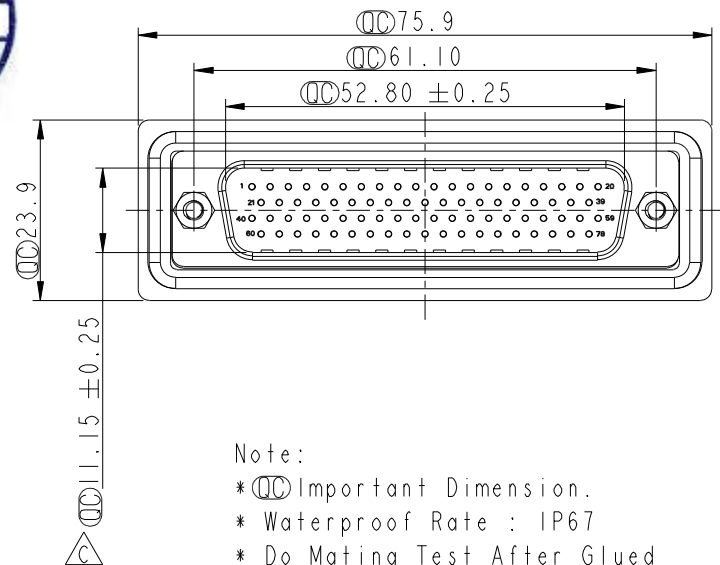
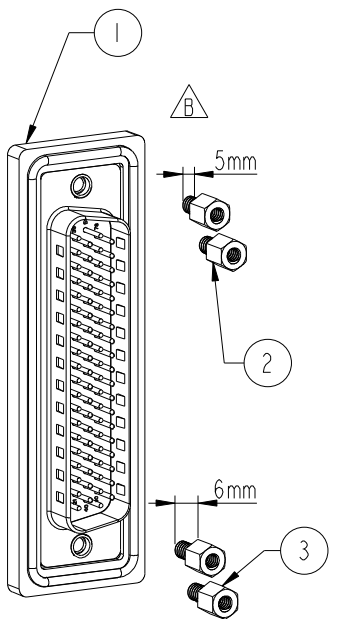
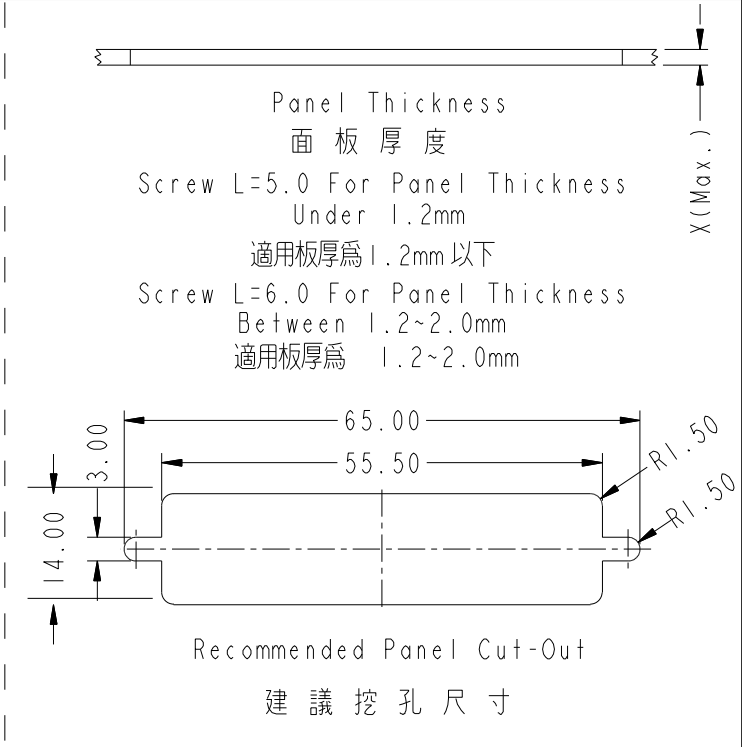
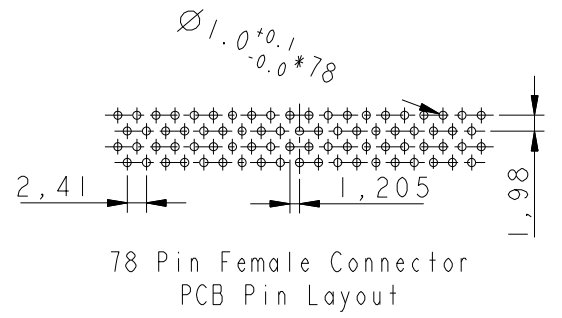


REV.	ECN NO.	DATE	SIGN	DESCRIPTION
B	LE3-710143	2006/12/15	Gao Ling	Move O-ring to ZSE00100828
C	LEN1390045	2013/05/10	Lu Di	Change Dimensions



- Note:
- * \varnothing Important Dimension.
 - * Waterproof Rate : IP67
 - * Do Mating Test After Glued 點膠後，須作對插測試
 - * D-SUB Conn. : Black Core, PBT
 - * Plastic Jacket : Black, Nylon+GF
 - * Pin : Copper Alloy , Gold Plated
 - * Ring : Light Blue, Silicone
 - * Screw : Copper Alloy, Nickel Plated, #4-40 UNC



UNIT: mm		
TOLERANCE		
.X	± 0.25	
.XX	± 0.1	
.XXX	± 0.05	
ANGLES	$\pm 1^\circ$	

TITLE D-SUB Conn. Panel Screw HD78P M Conn M Pin			
SCALE 1:1	SIZE A4	SHEET 1 OF 1	
REV. C	WC-REV. A.2	\varnothing : Inspection item	

Amphenol LTW
安費諾亮泰企業股份有限公司

ITEM NO. HDB-78PMMP-SL7001	DRAWN BY Di_lu	DATE 2013-05-10
DWG NO. HDB-78PMMP-SL7001	CHECKED BY Mafei	DATE 2013-05-10
CUSTOMER ALTW	APPROVED BY Victor	DATE 2013-05-10

THIS DOCUMENT IS SUBJECT TO CHANGE WITHOUT NOTICE. IT IS CONFIDENTIAL AND A PROPERTY OF Amphenol LTW. DISCLOSURE TO THIRD PARTY HAS TO BE AUTHORIZED BY Amphenol LTW.