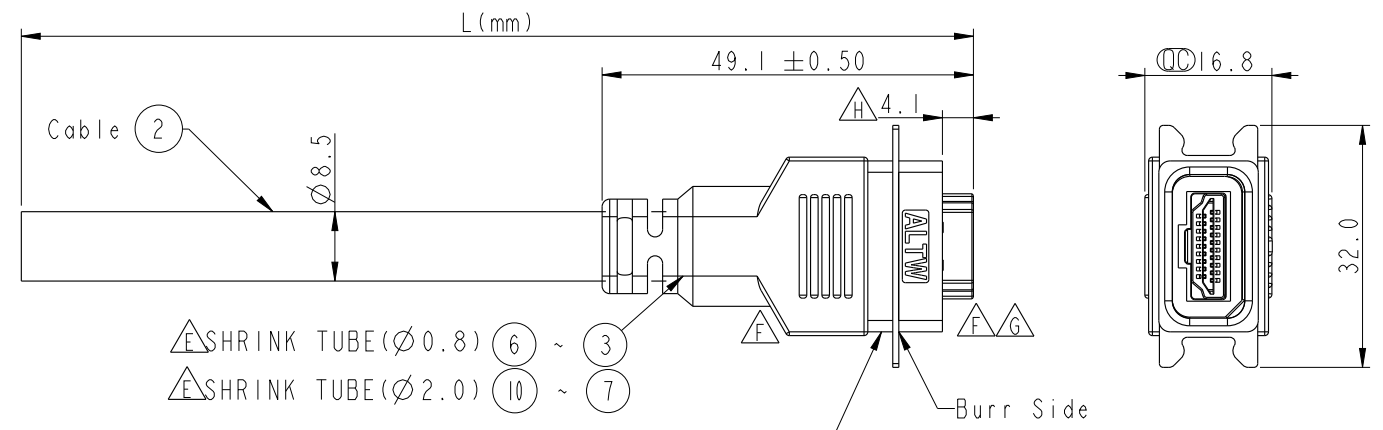
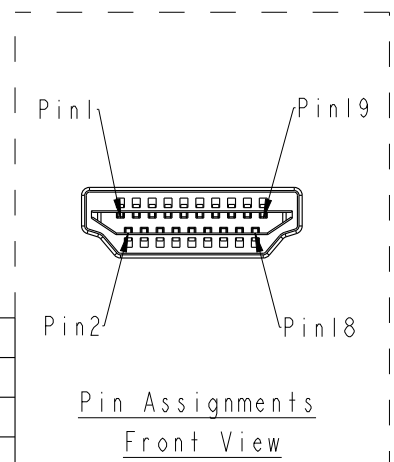


THIS DOCUMENT IS SUBJECT TO CHANGE WITHOUT NOTICE. IT IS CONFIDENTIAL AND A PROPERTY OF Amphenol LTW. DISCLOSURE TO THIRD PARTY HAS TO BE AUTHORIZED BY Amphenol LTW.

REV.	ECN NO.	DATE	SIGN	DESCRIPTION
F	LENI380078~81	2013/07/27	Yulong	Update the Drawing
G	LENI490390~393	2014/09/09	Sam	Change Logo
H		2018-11-21	Peng	Change The Dimension



ALTW
CONFIDENTIAL
2018-11-21
R&D DEPT.



Note:
 * (⊙) Important Dimension.
 * Waterproof Rate: IP67
 * Plug: HDMI 19Pins Male
 * Cable: (26#*1P+D+AL+MYLAR)*4+26#*1P+26#*5C +AL+B UL20276, Black, OD=8.5mm.
 * Cable Length Tolerance: 01M:±40mm
 02M~05M:±60mm

XX : 01~05Meters
 01 : 01Meter
 02 : 02Meters
 :
 :
 05 : 05Meters
 Cable Length(L): 01~05Meters

Shell	Braid	纏繞	
19	Pink	粉紅	3
18	Purple	紫	3
17	Red	紅	3
16	Orange	橘	2
15	Yellow	黃	
14	Gray	灰	3
13	White	白	3
12	White	白	1
11	Drain	地線	
10	Blue	藍	1
9	White	白	
8	Drain	地線	1
7	Green	綠	
6	White	白	1
5	Drain	地線	
4	Red	紅	1
3	White	白	
2	Drain	地線	1
1	Brown	棕	
Conn.	Wire Color	Wire Type	Type 1
			IP+D+AL
Pin Out			Wire Type
			Type 3
			IC
			Type 2
			IP

UNIT:mm		TITLE	HDMI Cable Latch 19 M Conn M Pin	
TOLERANCE ±0.5		SCALE	1:1	SIZE A4
		REV.	H	WC-REV. B.2
		☉: Inspection item		

Amphenol LTW		ITEM NO	HP-19AMMM-QL7AXX	DRAWN BY	Peng	DATE	2018-11-21
安費諾亮泰企業股份有限公司		DWG NO	HP-19AMMM-QL7AXX	CHECKED BY	Mafei	DATE	2018-11-21
		CUSTOMER	ALTW	APPROVED BY	Jerry	DATE	2018-11-21