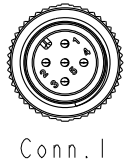
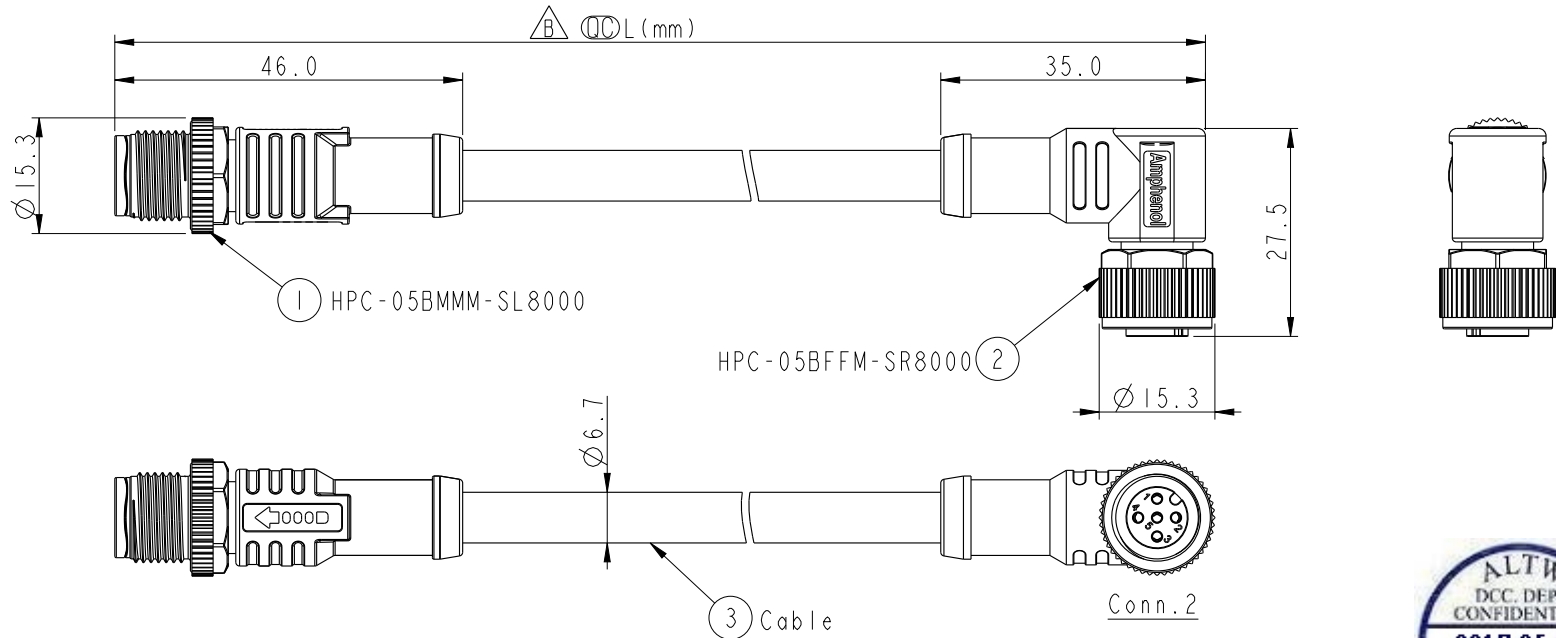


REV.	ECN NO.	DATE	SIGN	DESCRIPTION
A	Initial Release	2017-04-17	Frank Deng	Rev.01 To Rev.A
B	LEN1750007	2017-04-25	Frank Deng	Change The Dimensioning Position

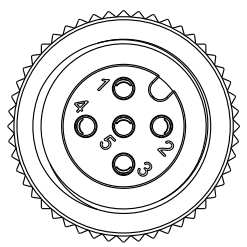
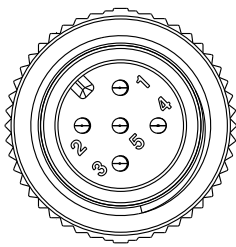
ALTW
CONFIDENTIAL
2017-04-25
R&D DEPT.



ALTW
DCC. DEPT.
CONFIDENTIAL
2017.05.04
ISSUED

HPC-000505-OMF-DSAXX
T
XX: 01~99Meters
01: 01Meter
02: 02Meters
:
99: 99Meters
Cable Length(L): 01~99Meters

- Notes:
- * (L) Important Dimension.
 - * Waterproof Rate: IP68.
 - * Connector: PU+GF, Black.
 - * Pins: Copper Alloy, Gold Plated.
 - * Screw Nut: Nylon, Black.
 - * O-Ring: Viton, Green.
 - * Cable: CL2, (24#*1P+A/M)+(22#*1P+A/M)+D+B, PVC UV Cable, OD=6.7mm, Black
 - * Cable Length Tolerance: 01M:±40mm
02M~05M:±60mm
06M~10M:±100mm
11M~30M:±200mm
31M~99M:±500mm



5	Blue 藍	24#	5	Twist
4	White 白	24#	4	
3	Black 黑	22#	3	Twist
2	Red 紅	22#	2	
1	Drain 地線	22#	1	
Conn. 1	Wire Color		Conn. 2	
Pin Out				

UNIT:mm

TOLERANCE	
.X	±0.25
.XX	±0.1
.XXX	±0.05
ANGLES	±1°

TITLE NMEA MICRO-C, DOUBLE-ENDED 5PIN, S/T TO R/A, PLASTIC			
SCALE 1:1	SIZE A4	SHEET 1 OF 1	
REV. B	WC-REV. A.2	(L): Inspection item	

Amphenol LTW
安費諾亮泰企業股份有限公司

ITEM NO	DRAWN BY Frank Deng	DATE 2017-04-25
DWG NO HPC-000505-OMF-DSAXX	CHECKED BY Fisher Wang	DATE 2017-04-25
CUSTOMER ALTW	APPROVED BY Kevin Hu	DATE 2017-04-25

THIS DOCUMENT IS SUBJECT TO CHANGE WITHOUT NOTICE. IT IS CONFIDENTIAL AND A PROPERTY OF Amphenol LTW. DISCLOSURE TO THIRD PARTY HAS TO BE AUTHORIZED BY Amphenol LTW.