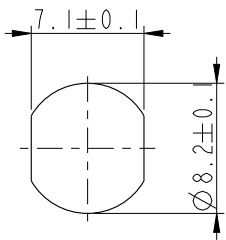
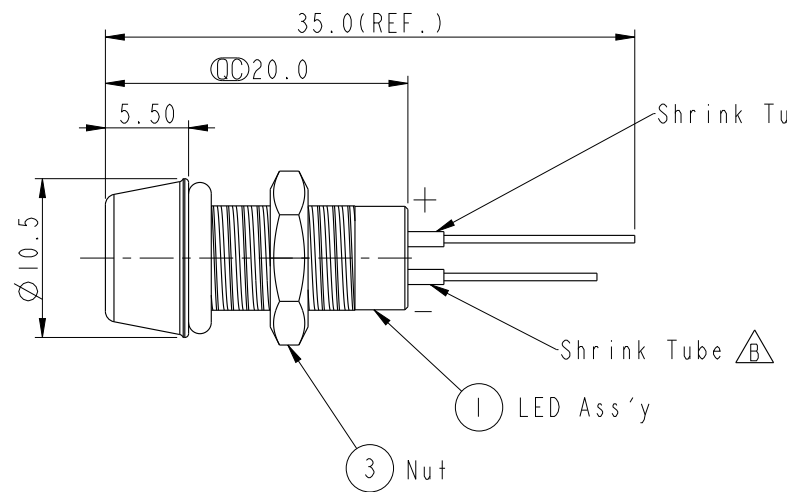
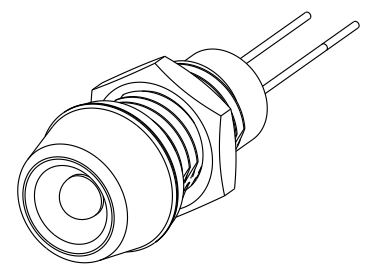


THIS DOCUMENT IS SUBJECT TO CHANGE WITHOUT NOTICE. IT IS CONFIDENTIAL AND A PROPERTY OF AMPHENOL LTW. DISCLOSURE TO THIRD PARTY HAS TO BE AUTHORIZED BY AMPHENOL LTW.

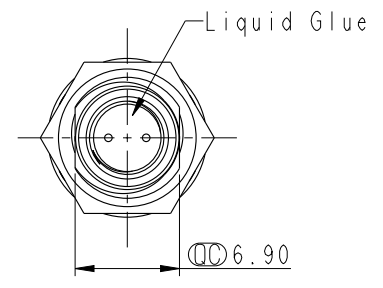
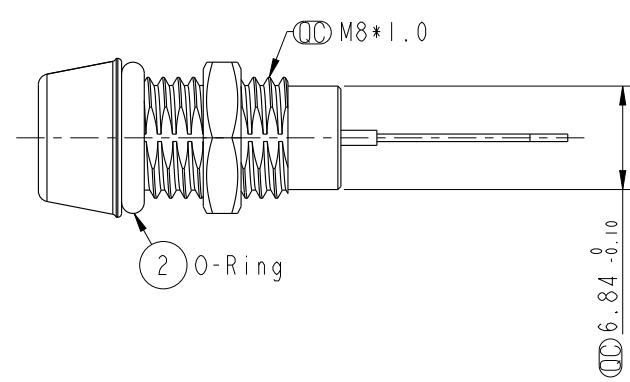
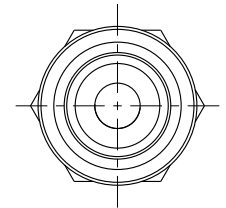
REV.	ECN NO.	DATE	SIGN	DESCRIPTION
B	LE3-850094	2008/05/14	Rex	LED Pin Add Shrink Tube
C	LEN-930474	2009/03/04	ZhaoRongFu	Add Waterproof Rate
D	C201700	2020/10/30	JC Chen	△DXI



Recommended Panel Cut-Out



- Notes:
- \* (C) Important Dimension To Check
  - \* (C) Waterproof Rate: IP67
  - \* LED Holder: Brass, Nickel Plating
  - \* LED:  $\varnothing$ 3mm, Red (高亮度)
  - \* (D) O-ring: EPDM, Black
  - \* Screw Nut: Brass, Nickel Plating
  - \* Operating Voltage: DC 4V
  - \* Operating Temperature: -40~+80°C
  - \* For Panel Thickness 6.5 max.



UNIT: mm		
TOLERANCE	.X ±0.25	
.XX ±0.1		
.XXX ±0.05		
ANGLES	±1°	

TITLE Waterproof Led ( $\varnothing$ 3mm) Red, Solder Type			
SCALE 2:1	SIZE A4	SHEET 1 OF 1	
REV. D	WC-REV. A.2	(C): Inspection item	

**Amphenol LTW**  
安費諾亮泰企業股份有限公司

ITEM NO. L08-01RAAS-MR7001	DRAWN BY DEL_SamChang	DATE 2012-11-01
DWG NO. L08-01RAAS-MR7001	CHECKED BY Jeffrey	DATE 2012-11-02
CUSTOMER ALTW	APPROVED BY Maslow	DATE 2012-11-02