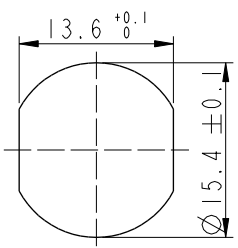


THIS DOCUMENT IS SUBJECT TO CHANGE WITHOUT NOTICE. IT IS CONFIDENTIAL AND A PROPERTY OF Amphenol LTW. DISCLOSURE TO THIRD PARTY HAS TO BE AUTHORIZED BY Amphenol LTW.

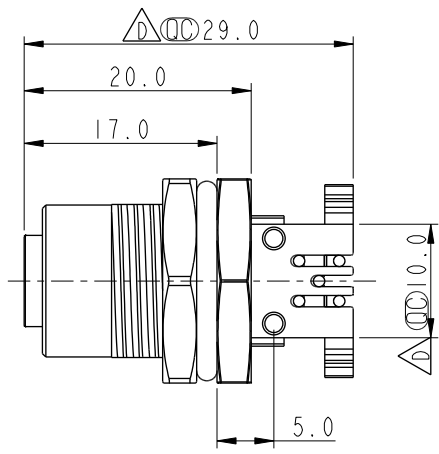
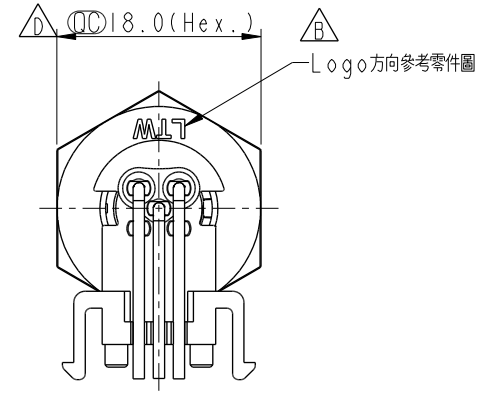
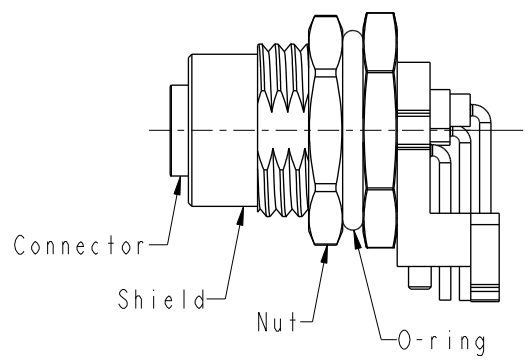
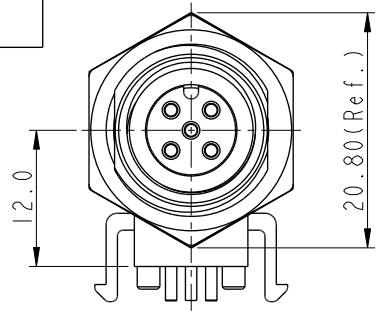
REV.	ECN NO.	DATE	SIGN	DESCRIPTION
C	C201447	2020/09/18	Ruru	X5
D	C210309	2021/02/24	Ruru	X6
E	C210798	2021/05/21	Ruru	X1



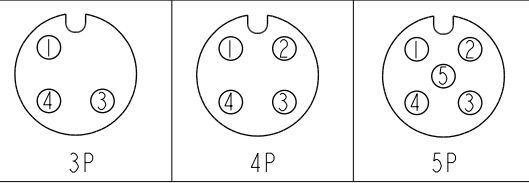
M12A-XXPFFR-SF8001

XX: No. Of Pin

Recommended Panel Cut-Out



- Note:
- * RoHS Compliant
 - * Important dimension
 - * Waterproof rate: IPX8, unmated 1m/24h
 - * Connector
 - Housing: Thermoplastic, Black
 - Pin: Copper alloy, Gold plated
 - O-Ring: Rubber, Gray
 - * Shield: Metal
 - * Nut: Metal
 - * O-Ring: Rubber, Black
 - * For panel thickness max: 4.5mm
 - * For pcb thickness max: 1.6mm
 - * Nut is packed separately in pe bag



Pin Assignment Front View

UNIT:mm		TITLE	N SEN, M12 A, SCREW RECEPTACLE, F, F, PCB R		
TOLERANCE		SCALE	SIZE	SHEET	OF
.X	±0.25	3:2	A4	1	2
.XX	±0.1	REV.	WC-REV.	: Inspection item	
.XXX	±0.05	E	A.2		
ANGLES	±1°				

Amphenol LTW
安費諾亮泰企業股份有限公司

ITEM NO	DRAWN BY	DATE
	Frank Deng	2017-10-23
DWG NO	CHECKED BY	DATE
M12A-XXPFFR-SF8001	Fisher Wang	2017-10-23
CUSTOMER	APPROVED BY	DATE
ALTW	Kevin Hu	2017-10-23

THIS DOCUMENT IS SUBJECT TO CHANGE WITHOUT NOTICE. IT IS CONFIDENTIAL AND A PROPERTY OF Amphenol LTW. DISCLOSURE TO THIRD PARTY HAS TO BE AUTHORIZED BY Amphenol LTW.

1 2 3 4 5 6 7 8

F

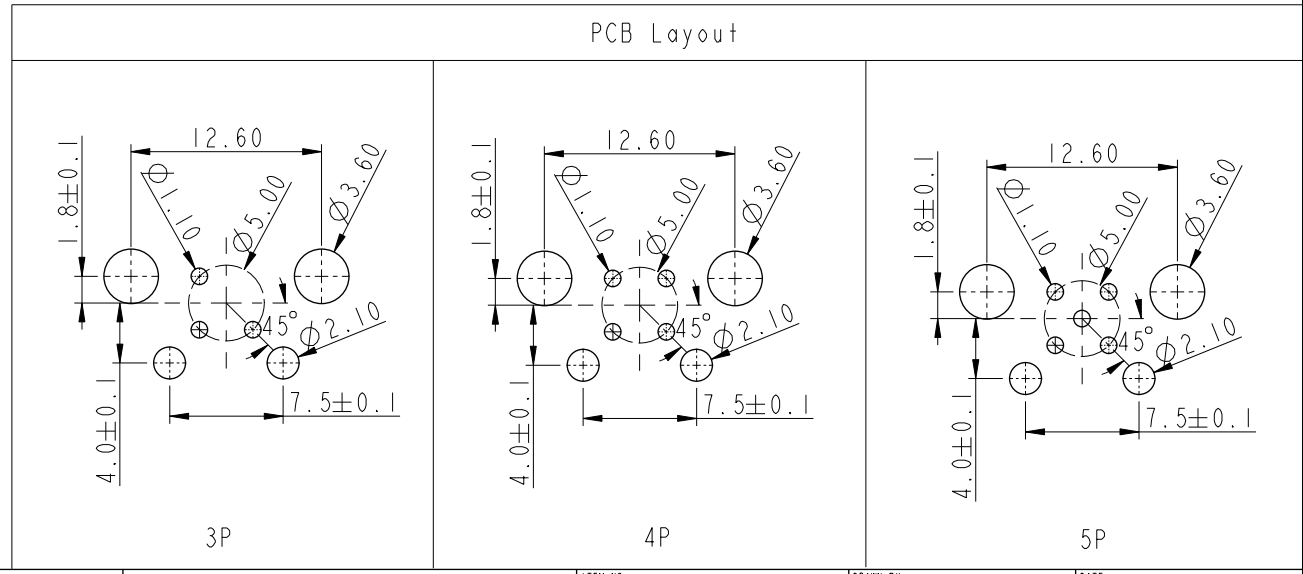
E

D

C

B

A



UNIT: mm		
TOLERANCE	.X	±0.25
	.XX	±0.1
	.XXX	±0.05
ANGLES		±1°

TITLE N SEN, M12 A, SCREW RECEPTACLE, F, F, PCB R		
SCALE 3:2	SIZE A4	SHEET 2 OF 2
REV. E	WC-REV. A.2	

Amphenol LTW
安費諾亮泰企業股份有限公司

ITEM NO	
DWG NO	M12A-XXPFFR-SF8001
CUSTOMER	ALTW

DRAWN BY	Frank Deng
CHECKED BY	Fisher Wang
APPROVED BY	Kevin Hu

DATE	2017-10-23
DATE	2017-10-23
DATE	2017-10-23

2 3 4 5 6 7 8 W10814-03-001A2