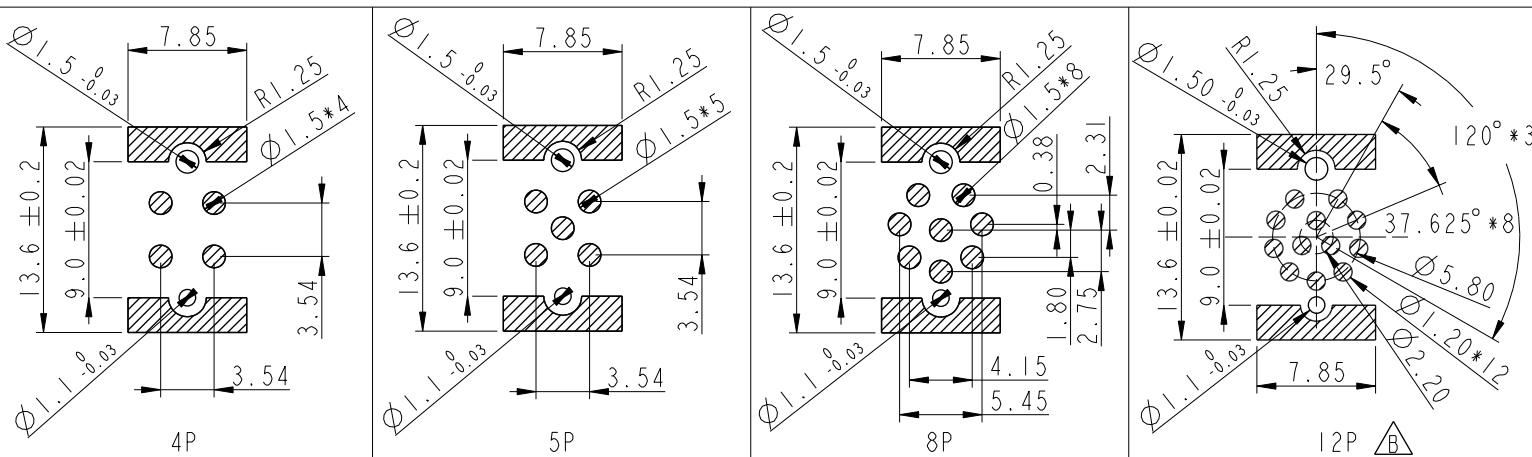
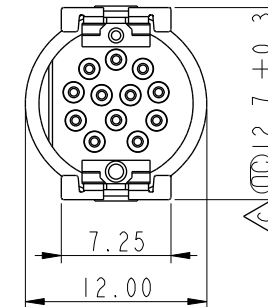
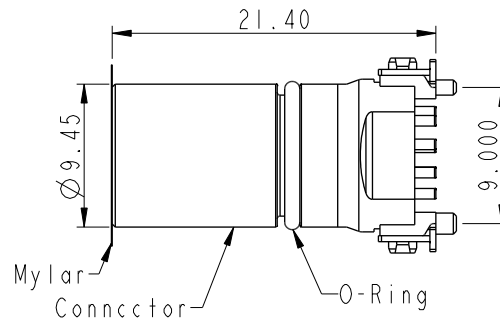


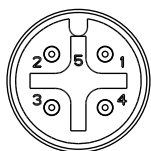
REV.	ECN NO.	DATE	SIGN	DESCRIPTION
A	Initial Release	2020/07/28	Yuwei Chou	Change Rev.01 To Rev.A
B	C201281	2020/08/21	Allen	$\triangle B$ X12
C	C210309	2021/02/25	Ruru	$\triangle C$ X6

$\triangle B \triangle C$
M12A-XXPMMT-EE0001

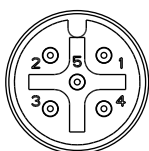
XX: No. Of Pin



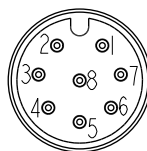
PCB Layout



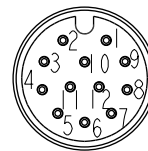
4P



5P



8P



12P $\triangle B$

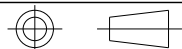
Pin Assignment Front View



Note:

- * RoHS Compliant
- * $\triangle C$ Important dimension
- * Waterproof rate: Non-Waterproof
- * Connector
- Housing: Thermoplastic, Black
- Pin: Copper Alloy, Gold Plated
- * O-Ring: Rubber, Gray
- * Mylar: PI, Amber

UNIT: mm



TOLERANCE
.X ±0.25
.XX ±0.1
.XXX ±0.05
ANGLES ±1°

TITLE N SEN, M12 A, NONE RECEPTACLE, M, M, PCB SMT $\triangle C$			
SCALE 2:1	SIZE A4	SHEET 1 OF 3	
REV. C	WC-REV. A.1	$\triangle C$: Inspection item	

Amphenol LTW
安費諾亮泰企業股份有限公司

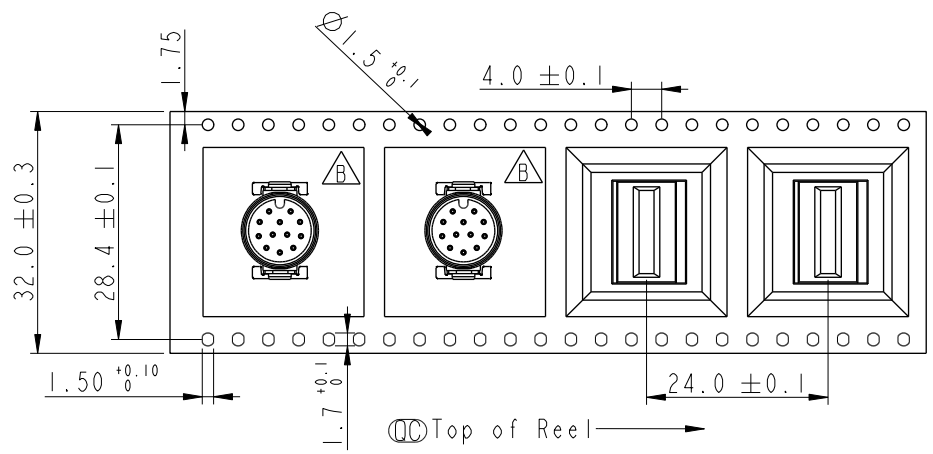
ITEM NO.	DWG NO.
	M12A-XXPMMT-EE0001
CUSTOMER	ALTW

DRAWN BY	Yuwei Chou
CHECKED BY	Aric Ko
APPROVED BY	Max Yung

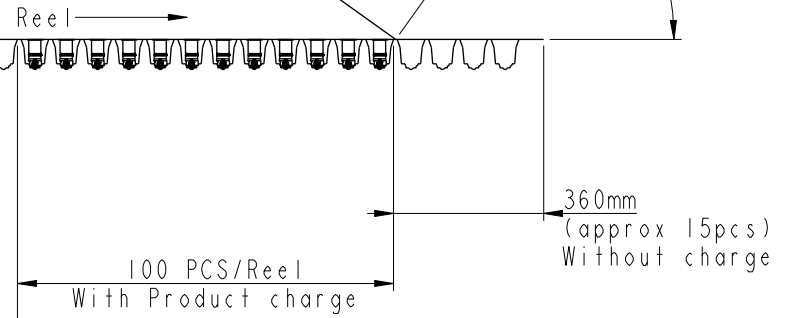
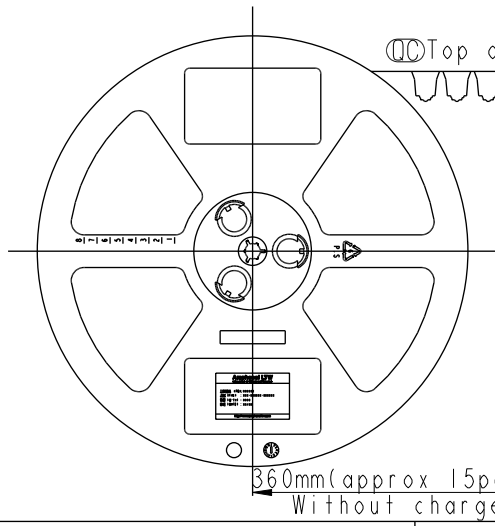
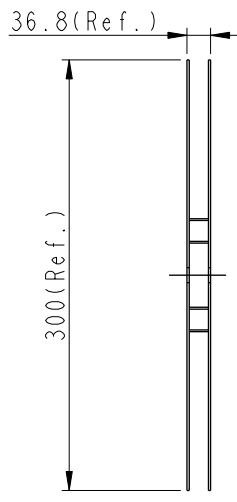
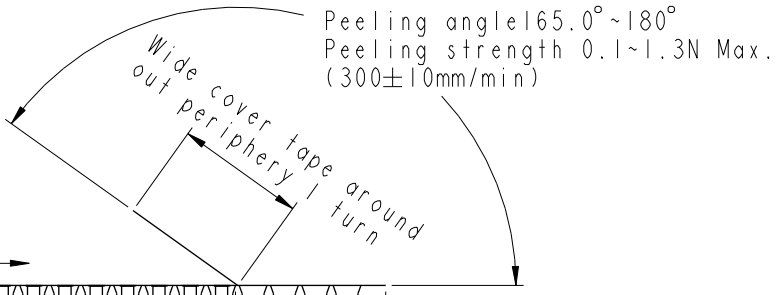
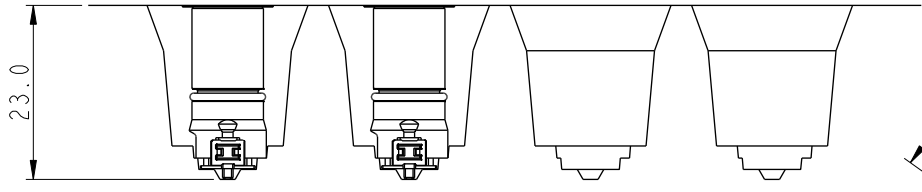
DATE	2020-07-28
DATE	2020-07-28
DATE	2020-07-28

THIS DOCUMENT IS SUBJECT TO CHANGE WITHOUT NOTICE. IT IS CONFIDENTIAL AND A PROPERTY OF AMPHENOL LTW. DISCLOSURE TO THIRD PARTY HAS TO BE AUTHORIZED BY AMPHENOL LTW.

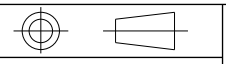
THIS DOCUMENT IS SUBJECT TO CHANGE WITHOUT NOTICE. IT IS CONFIDENTIAL AND A PROPERTY OF Amphenol LTW. DISCLOSURE TO THIRD PARTY HAS TO BE AUTHORIZED BY Amphenol LTW.



Note :
 Ⓞ* Connector Orientat follow Drawing



UNIT: mm
 TOLERANCE
 .X ±0.25
 .XX ±0.1
 .XXX ±0.05
 ANGLES ±1°



TITLE N SEN, M12 A, NONE RECEPTACLE, M, M, PCB SMT			
SCALE FREE	SIZE A4	SHEET 2 OF 3	
REV. C	WC-REV. A.1	Ⓞ: Inspection item	

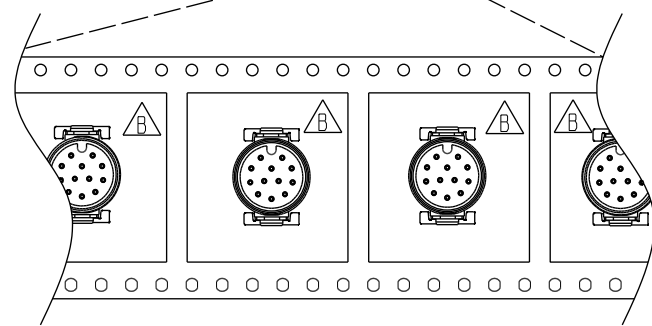
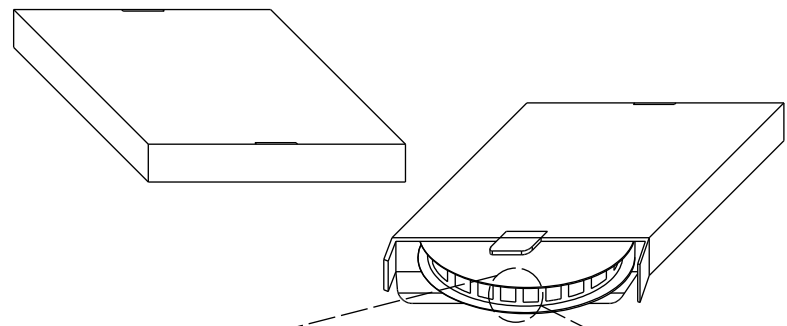
Amphenol LTW
 安費諾亮泰企業股份有限公司

ITEM NO	DWG NO	CUSTOMER
	M12A-XXPMMT-EE0001	ALTW

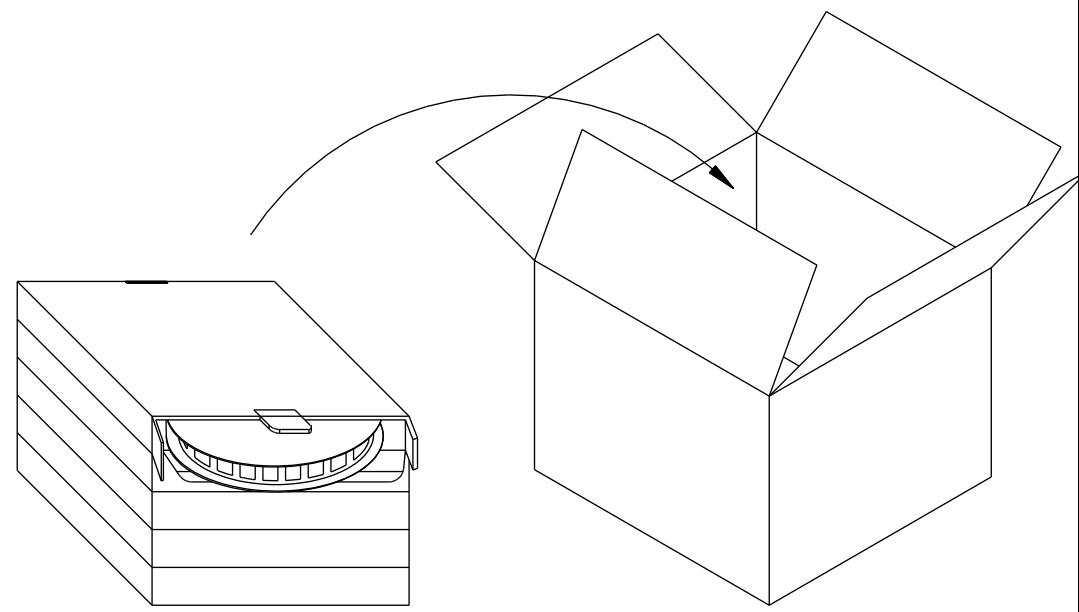
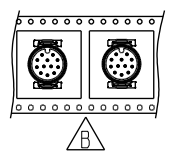
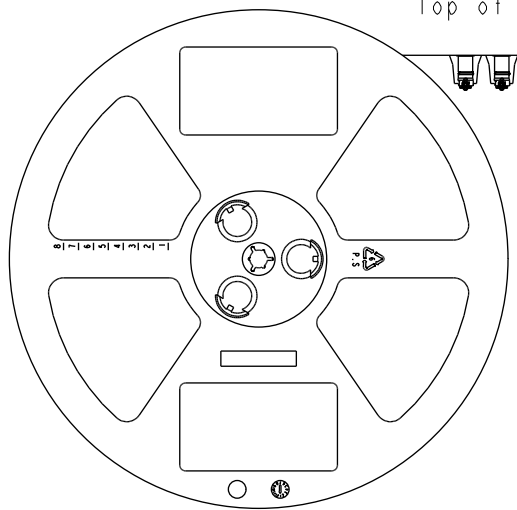
DRAWN BY Yuwei Chou	CHECKED BY Aric Ko	APPROVED BY Max Yung
------------------------	-----------------------	-------------------------

DATE 2020-07-28	DATE 2020-07-28	DATE 2020-07-28
--------------------	--------------------	--------------------

THIS DOCUMENT IS SUBJECT TO CHANGE WITHOUT NOTICE. IT IS CONFIDENTIAL AND A PROPERTY OF AMPHENOL LTW. DISCLOSURE TO THIRD PARTY HAS TO BE AUTHORIZED BY AMPHENOL LTW.



Top of Reel →



Note:
 100 PCS(Connector)/Tape&Reel Put in a Box
 5PCS(Max.) Box Put in a Carton

UNIT: mm		
TOLERANCE		
.X	±0.25	
.XX	±0.1	
.XXX	±0.05	
ANGLES	±1°	

TITLE N SEN, M12 A, NONE RECEPTACLE, M, M, PCB SMT			
SCALE	SIZE	SHEET	OF
FREE	A4	3	3
REV.	WC-REV.	◎: Inspection item	
C	A.1		

Amphenol LTW
 安費諾亮泰企業股份有限公司

ITEM NO	DRAWN BY
	Yuwei Chou
DWG NO	CHECKED BY
M12A-XXPMMT-EE0001	Aric Ko
CUSTOMER	APPROVED BY
ALTW	Max Yung

DATE
2020-07-28
DATE
2020-07-28
DATE
2020-07-28

DATE
2020-07-28