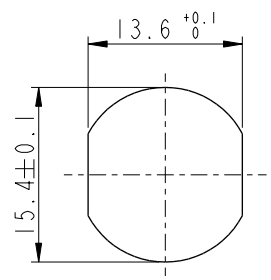
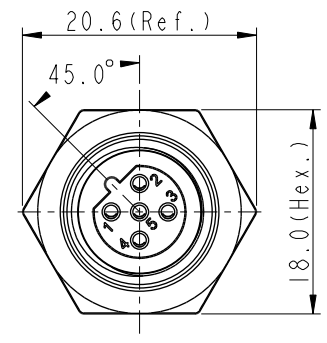
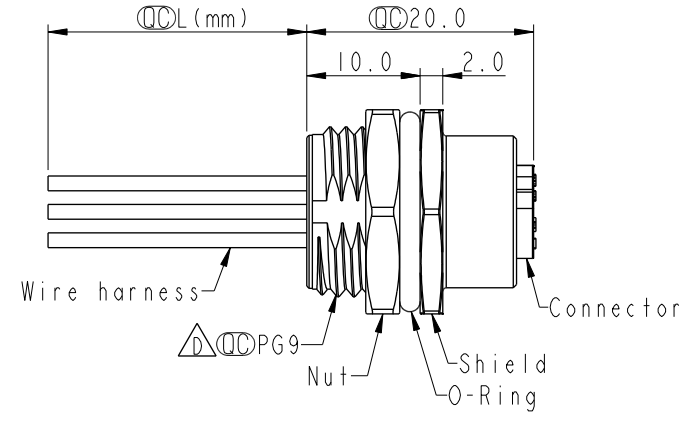
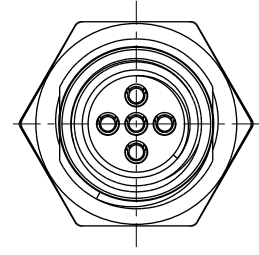


THIS DOCUMENT IS SUBJECT TO CHANGE WITHOUT NOTICE. IT IS CONFIDENTIAL AND A PROPERTY OF Amphenol LTW. DISCLOSURE TO THIRD PARTY HAS TO BE AUTHORIZED BY Amphenol LTW.

REV.	ECN NO.	DATE	SIGN	DESCRIPTION
C	E191630	2019-09-19	Ruru	Update Wire Tolerance
D	C201453	2020-10-14	Ruru	$\triangle D$ X5
E	C210593	2021-04-15	Ruru	$\triangle E$ X3

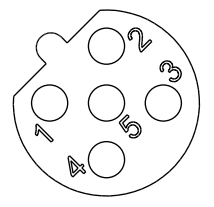


Recommended Panel Cut-Out



5	Gray	灰
4	Black	黑
3	Blue	藍
2	White	白
1	Brown	棕

Pin #	Wire
	Pin Out



Pin Assignments Front View

$\triangle C \triangle D \triangle E$
MI2B-XXPFFC-SH8BXX

XX: No. Of Pin

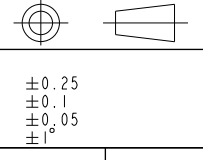
- 10: 100mm
- 15: 150mm
- 20: 200mm
- ↓
- 95: 950mm
- Cable Pitch Unit=50mm
- ↓
- A0: 1000mm
- ↓
- A5: 1500mm
- Cable Pitch Unit=100mm
- Wire Length (L): 150~1500 mm

Note: $\triangle C \triangle D \triangle E$

- * RoHS Compliant
- * ⌀ Important dimension
- * Waterproof rate: IPX8, unmated 1m/24h
- * Connector
- Housing: Thermoplastic, Black
- Pin: Copper alloy, Gold plated
- O-Ring: Rubber, Green
- * Shield: Metal
- * Nut: Metal
- * O-Ring: Rubber, Black
- * Wire harness: UL1061, 22AWG
- * For panel thickness max: 4.5mm
- * O-Ring and nut are assembled on connectors
- * Wire harness tolerance: 100mm: ±10mm
- 100mm < L ≤ 300mm: ±15mm
- 300mm < L ≤ 1000mm: ±20mm
- 1000mm < L ≤ 1500mm: ±50mm

UNIT: mm

TOLERANCE	
.X	±0.25
.XX	±0.1
.XXX	±0.05
ANGLES	±1°



TITLE			
N SEN, MI2 B, SCREW RECEPTACLE, F, F, FI/PANEL CRIMP $\triangle E$			
SCALE	SIZE	SHEET	OF
2:1	A4	1	1
REV.	WC-REV.	⌀ : Inspection item	
E	A.5		

Amphenol LTW
安費諾亮泰企業股份有限公司

ITEM NO.	DRAWN BY	DATE
	Ruru	2019-09-19
DWG NO.	CHECKED BY	DATE
\triangle MI2B-XXPFFC-SH8BXX	Rita	2019-09-19
CUSTOMER	APPROVED BY	DATE
ALTW	Max	2019-09-19