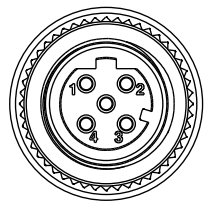
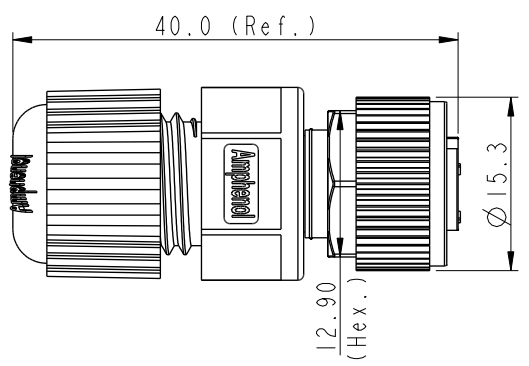
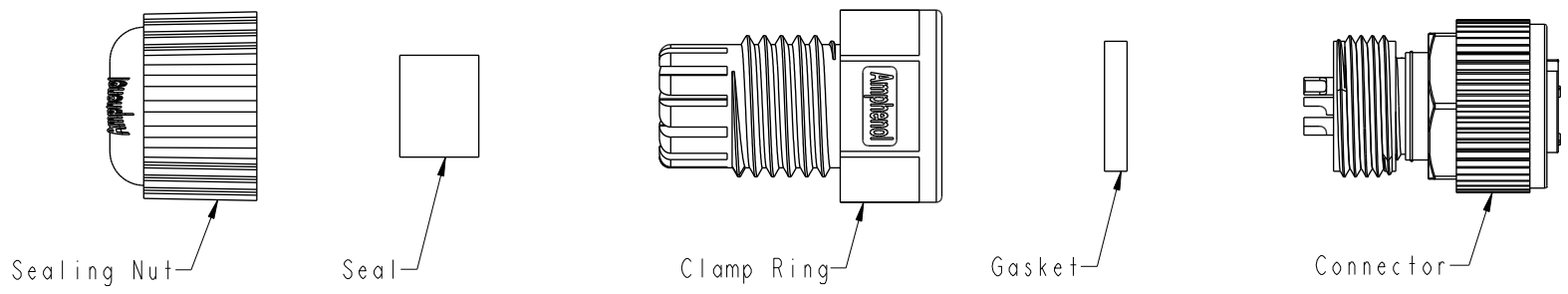


THIS DOCUMENT IS SUBJECT TO CHANGE WITHOUT NOTICE. IT IS CONFIDENTIAL AND A PROPERTY OF Amphenol LTW. DISCLOSURE TO THIRD PARTY HAS TO BE AUTHORIZED BY Amphenol LTW.

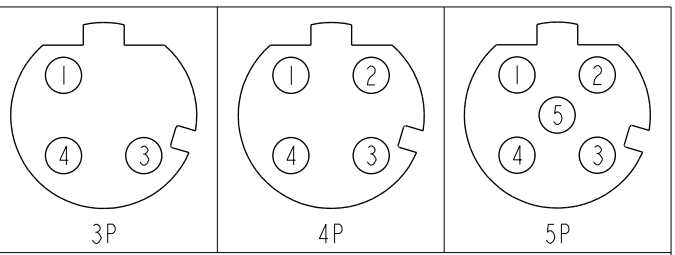
REV.	ECN NO.	DATE	SIGN	DESCRIPTION
B	C210561	2021/04/12	Vicky	$\triangle B$ X4



$\triangle B$  M12D-XXBFFA-SL8001

XX: No. Of Pin

- $\triangle B$  Note:
- \* RoHS Compliant
  - \*  $\text{\textcircled{C}}$  Important Dimension
  - \* Waterproof rate: IPX8, mated 1m/24h
  - \* Connector
  - Housing: Thermoplastic, Black
  - Pin: Copper alloy, Gold plated
  - Extension Nut: Thermoplastic, Black
  - Nut: Metal
  - O-Ring: Rubber, Gray
  - \* Gasket: Rubber, Gray
  - \* Clamp Ring: Thermoplastic, Black
  - \* Sealing Nut: Thermoplastic, Black
  - \* Seal: Rubber, Gray, OD:  $\phi 4.5\text{mm} \sim \phi 6.5\text{mm}$
  - \* One set unassembled in one pe bag



Pin Assignments Front View

UNIT: mm	$\text{\textcircled{C}}$	$\text{\textcircled{C}}$	TITLE N SEN, M12 D, SCREW CABLE W/O SR, F, F, FI SOLDER	$\triangle B$
TOLERANCE .X $\pm 0.25$ .XX $\pm 0.1$ .XXX $\pm 0.05$ ANGLES $\pm 1^\circ$	$\triangle B$	SCALE 1:1	SIZE A4	SHEET 1 OF 1
REV. B	WC-REV. A.5	$\text{\textcircled{C}}$ : Inspection item		

**Amphenol LTW**  
安費諾亮泰企業股份有限公司

ITEM NO.	DRAWN BY JC Chen	DATE 2019/08/29
DWG NO. M12D-XXBFFA-SL8001	CHECKED BY Li Feng	DATE 2019/08/29
CUSTOMER ALTW	APPROVED BY Jerry	DATE 2019/08/29