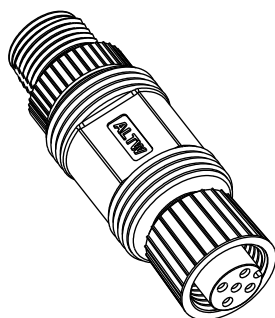
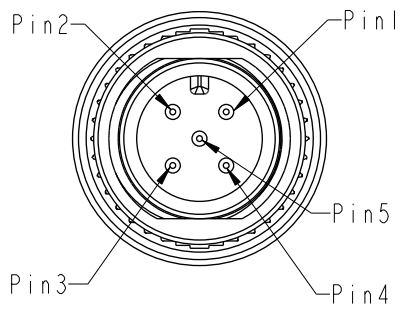
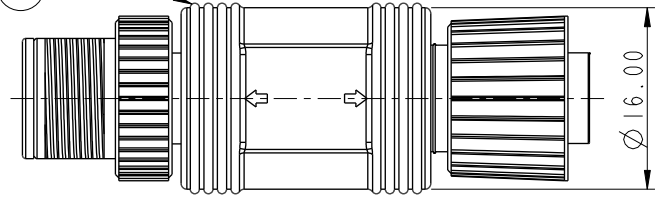


THIS DOCUMENT IS SUBJECT TO CHANGE WITHOUT NOTICE. IT IS CONFIDENTIAL AND A PROPERTY OF Amphenol LTW. DISCLOSURE TO THIRD PARTY HAS TO BE AUTHORIZED BY Amphenol LTW.

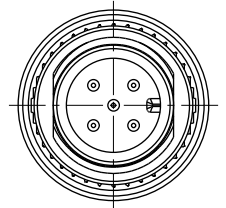
REV.	ECN NO.	DATE	SIGN	DESCRIPTION
B	C200216	2020/03/02	Vicky	△B*3



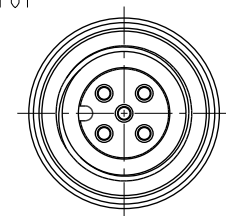
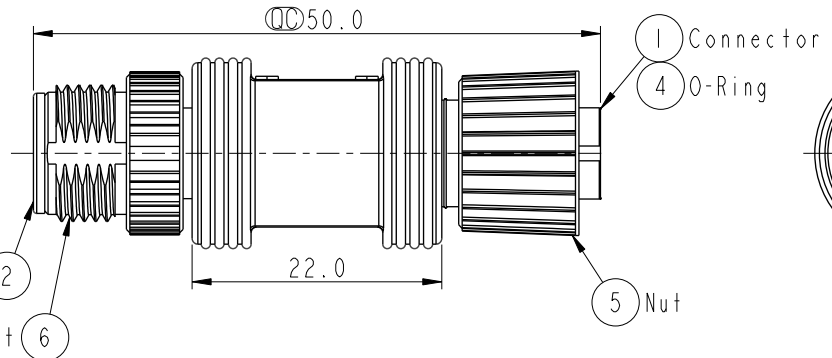
Inner Mold (8)
Outer Mold (9)
Color: Black



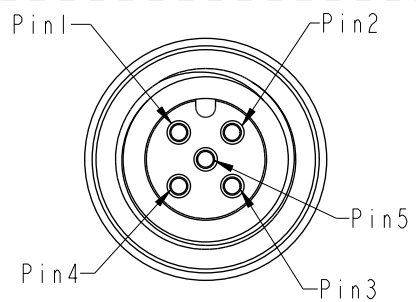
Pin Assignments
Front View
C1



C1 Connector



C2

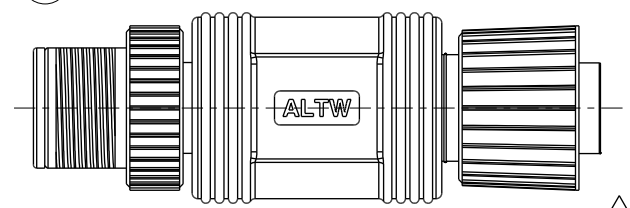


Pin Assignments
Front View
C2

5	Blue (22AWG)	藍	5
4	White (22AWG)	白	4
3	Black (22AWG)	黑	3
2	Red (22AWG)	紅	2
1	Green (22AWG)	綠	1
C1	Wire Color		C2

Pin Out

Resistor



△B Note:

- * Ⓞ Important Dimension.
- * Waterproof Rate: IP68, Mated
IP68: 1M depth of water in 24hours
- * Connector: Thermoplastic, Black
- * Pin: Copper Alloy, Gold Plated
- * Resistor: 1/4W, 120ohm±5% Resistance,
Molded Inside The Connector
- * Text Depth : 0.3 mm
- * Wire: UL1007, 22AWG

UNIT:mm	
TOLERANCE	±0.5mm

TITLE NMEA2000 MICRO-C INLINE RESISTOR			
SCALE 3:2	SIZE A4	SHEET 1 OF 1	
REV. B	WC-REV. A.2	Ⓞ: Inspection item	

Amphenol LTW
安費諾亮泰企業股份有限公司

ITEM NO. MC-000505-0MF-IS001	DRAWN BY Cloud	DATE 2008-04-08
DWG NO. MC-000505-0MF-IS001	CHECKED BY EZ	DATE 2008-04-09
CUSTOMER ALTW	APPROVED BY Luke	DATE 2008-04-10