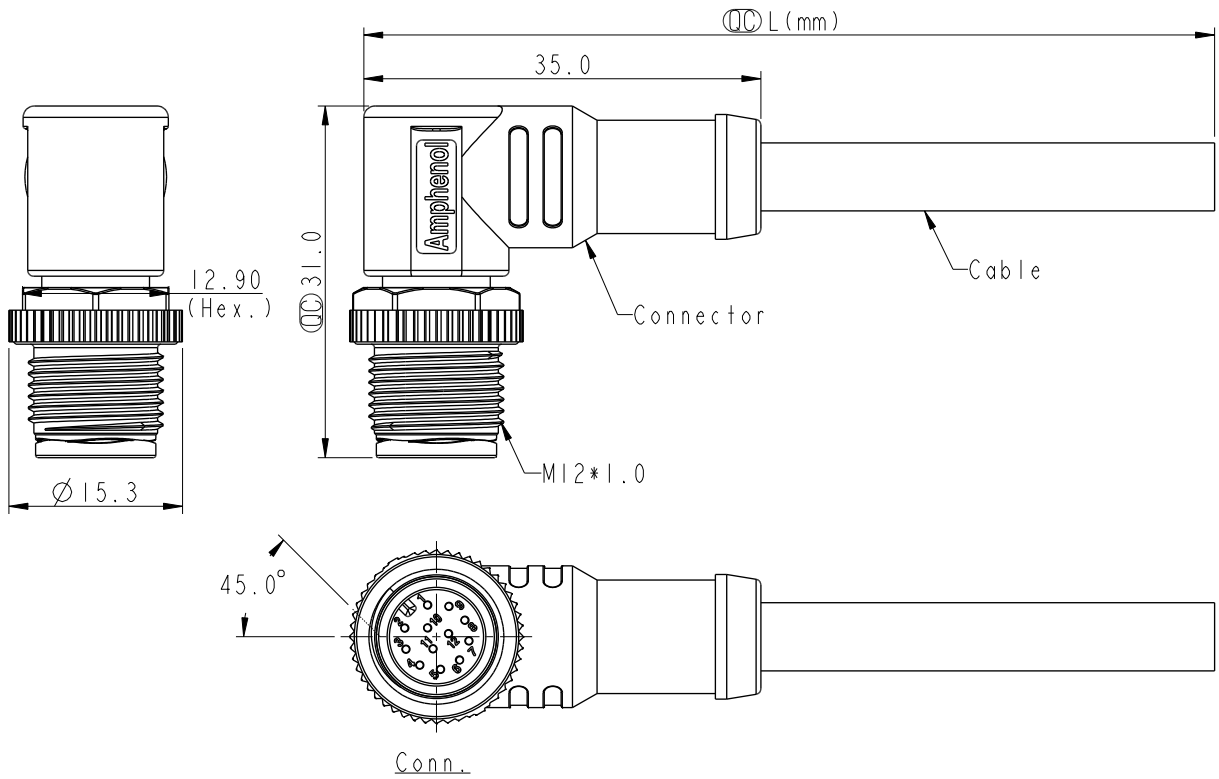


REV.	ECN NO.	DATE	SIGN	DESCRIPTION
D	LEN1750136~39	2017/04/06	Lingpeng	Change The Cable OD
E	C201638	2020/10/23	Vicky	△E X4
F	C210224	2021/03/22	Vicky	△E X4



△E △F
 Note:
 * RoHS Compliant
 * ☉ Important dimension
 △C * Waterproof rate: IPX8, mated 1m/24h
 IPX9K, mated

* Connector
 Housing: Thermoplastic, Black
 Pin: Copper alloy, Gold plated
 △B Nut: Thermoplastic, Black
 Outer mold: Thermoplastic, Black
 * Cable: UL2517, PVC Jacket, Black
 * Cable length tolerance: 1M: +50/-0 mm
 1M < L ≤ 3M: +100/-0 mm
 3M < L ≤ 5M: +150/-0 mm
 5M < L ≤ 10M: ±100 mm
 10M < L ≤ 20M: ±200 mm
 20M < L ≤ 30M: ±300 mm
 30M < L ≤ 99M: ±500 mm

UNIT: mm
 TOLERANCE
 ±0.5mm

TITLE N SEN, M12 A -PLASTIC, SCREW CABLE W/O SR, M, M, MOLDING △E			
SCALE 3:2	SIZE A4	SHEET 1 OF 2	
REV. F	WC-REV. A.1	☉: Inspection item	

Amphenol LTW
 安費諾亮泰企業股份有限公司

ITEM NO.	DRAWN BY Lingpeng	DATE 2017-04-06
DWG NO. △E MSAP-XXBMM-SR8DXX	CHECKED BY Ma Fei	DATE 2017-04-06
CUSTOMER ALTW	APPROVED BY Jerry	DATE 2017-04-06

THIS DOCUMENT IS SUBJECT TO CHANGE WITHOUT NOTICE. IT IS CONFIDENTIAL AND A PROPERTY OF Amphenol LTW. DISCLOSURE TO THIRD PARTY HAS TO BE AUTHORIZED BY Amphenol LTW.

C	12P	6.0	26	MSAP-12BMMM-SR8DXX
	10P			MSAP-10BMMM-SR8DXX
E	8P	5.5	24	MSAP-08BMMM-SR8DXX
	6P			MSAP-06BMMM-SR8DXX
F	5P	5.1	22	MSAP-05BMMM-SR8DXX
	4P			MSAP-04BMMM-SR8DXX
	3P			MSAP-03BMMM-SR8DXX
F	Contacts	Cable OD	AWG	Item No.

△
MSAP-XXBMMM-SR8DXX
XX: No. Of Pin
XX: 01~99Meters
01: 01Meter
02: 02Meters
:
99: 99Meters

Pin Out	5 -- 4 Black 黑 3 Blue 藍 2 -- 1 Brown 棕	5 -- 4 Black 黑 3 Blue 藍 2 White 白 1 Brown 棕	5 Gray 灰 4 Black 黑 3 Blue 藍 2 White 白 1 Brown 棕	8 -- 7 Blue 藍 6 Pink 粉 5 -- 4 Yellow 黃 3 Green 綠 2 Brown 棕 1 White 白	8 Red 紅 7 Blue 藍 6 Pink 粉 5 Gray 灰 4 Yellow 黃 3 Green 綠 2 Brown 棕 1 White 白	12 -- 11 -- 10 Violet 紫 9 Black 黑 8 Red 紅 7 Blue 藍 6 Pink 粉 5 Gray 灰 4 Yellow 黃 3 Green 綠 2 Brown 棕 1 White 白	12 Red/Blue 紅/藍 11 Gray/Pink 灰/粉 10 Violet 紫 9 Black 黑 8 Red 紅 7 Blue 藍 6 Pink 粉 5 Gray 灰 4 Yellow 黃 3 Green 綠 2 Brown 棕 1 White 白
Conn.							

Pin Assignments Front View

UNIT:mm TOLERANCE ±0.5mm	 TITLE N SEN, M12 A -PLASTIC, SCREW CABLE W/O SR, M, M, MOLDING SCALE 3:2 SIZE A4 SHEET 2 OF 2 REV. F WC-REV. A.1	△ ◎: Inspection item
--------------------------------	--	-------------------------

Amphenol LTW
安費諾亮泰企業股份有限公司

ITEM NO	DWG NO	CUSTOMER	DRAWN BY	CHECKED BY	APPROVED BY	DATE
	MSAP-XXBMMM-SR8DXX	ALTW	Lingpeng	Ma Fei	Jerry	2017-04-06