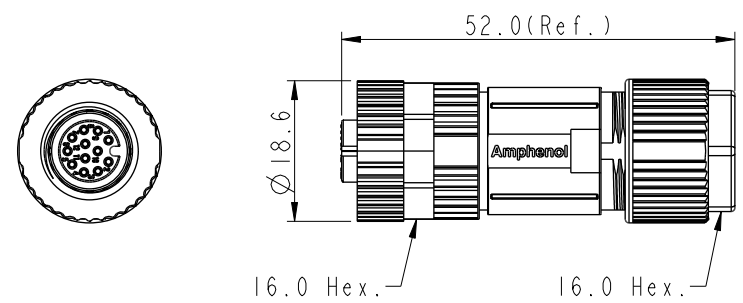
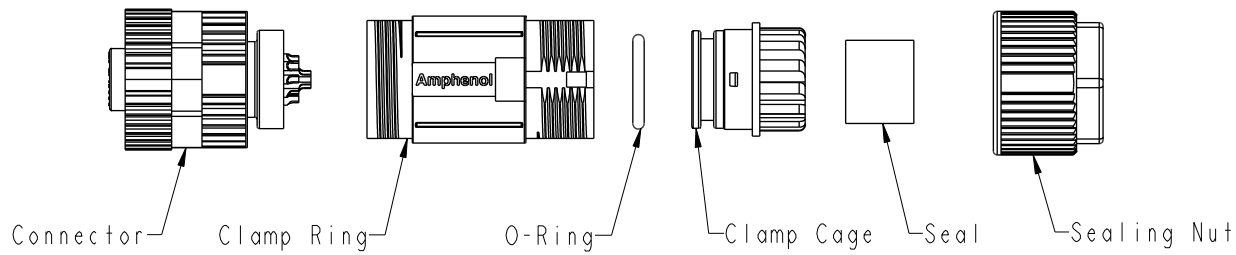


THIS DOCUMENT IS SUBJECT TO CHANGE WITHOUT NOTICE. IT IS CONFIDENTIAL AND A PROPERTY OF Amphenol LTW. DISCLOSURE TO THIRD PARTY HAS TO BE AUTHORIZED BY Amphenol LTW.

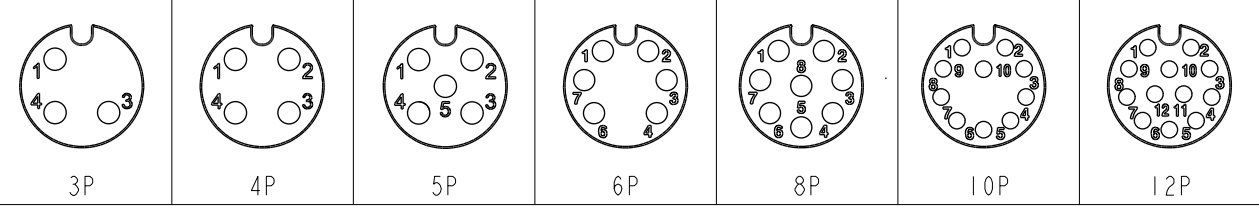
REV.	ECN NO.	DATE	SIGN	DESCRIPTION
C	C200792	2020/06/12	JC Chen	\triangle_C X2
D	C210007	2020/12/29	Ruru	\triangle_D X5
E	C210561	2021/04/15	Vicky	\triangle_E X2

\triangle_C \triangle_D
MSAS-XXBFFA-SL7001

XX: No. Of Pin



- \triangle_F Note:
- * RoHS Compliant
 - * \odot Important Dimension
 - * Waterproof rate: IPX7, mated
 - * Connector
 - Housing: Thermoplastic, Black
 - Pin: Copper alloy, Gold plated
 - Extension Nut: Metal
 - * \triangle_D Nut: Metal
 - * O-Ring: Rubber, Gray
 - * \triangle_D * Clamp Ring: Metal
 - * O-Ring: Rubber, Gray
 - * Clamp Cage: Thermoplastic, Black
 - * \triangle_D * Sealing Nut: Metal
 - * Seal: Rubber, Gray, OD: ϕ 4.0mm- ϕ 7.5mm
 - * One set unassembled in one pe bag



Pin Assignments Front View

UNIT: mm		TITLE N SEN, M12 A -SHLD, SCREW \triangle_D \triangle_E CABLE W/O SR, F, F, FI SOLDER	Amphenol LTW		ITEM NO	DRAWN BY	DATE
			安費諾亮泰企業股份有限公司		DWG NO	Yulong_wang	2016-07-22
TOLERANCE		SCALE	SIZE	SHEET	CUSTOMER	CHECKED BY	DATE
.X \pm 0.25		1:1	A4	1	ALTW	Jinhai	2016-07-22
.XX \pm 0.1		REV.	WC-REV.	\odot Inspection item		APPROVED BY	DATE
.XXX \pm 0.05		E	.0			Jerry	2016-07-22
ANGLES \pm 1°							