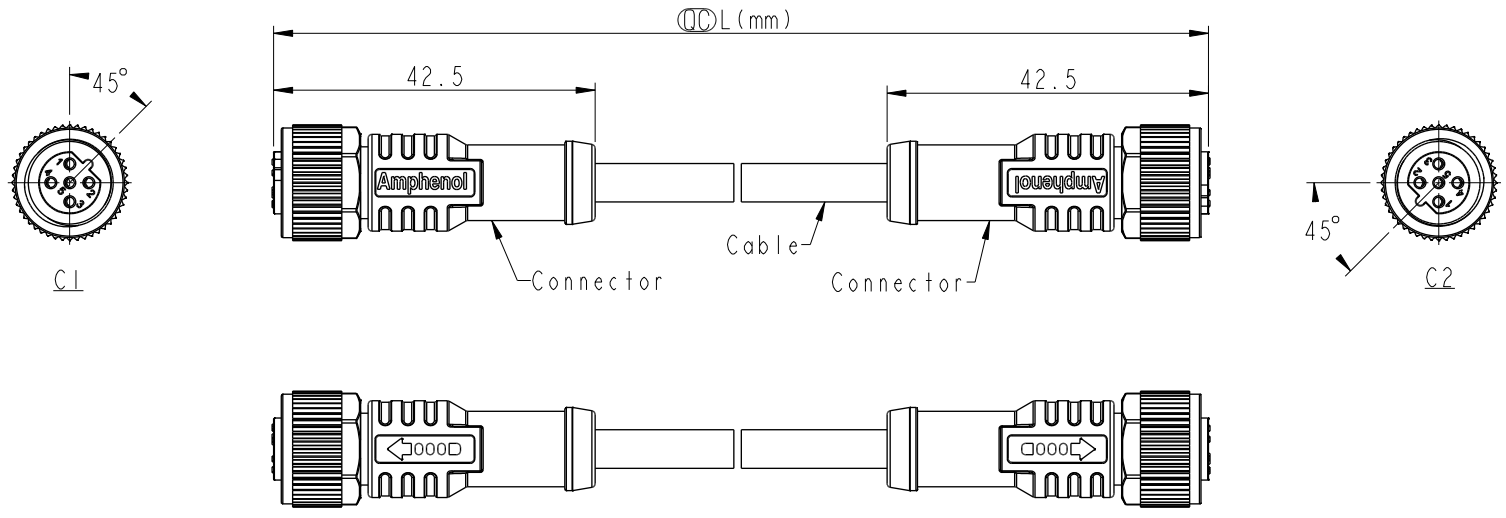


THIS DOCUMENT IS SUBJECT TO CHANGE WITHOUT NOTICE. IT IS CONFIDENTIAL AND A PROPERTY OF Amphenol LTW. DISCLOSURE TO THIRD PARTY HAS TO BE AUTHORIZED BY Amphenol LTW.

REV.	ECN NO.	DATE	SIGN	DESCRIPTION
B	C201781	2020/11/12	Ruru	$\triangle B$ X3
C	C210497	2021/03/30	Ruru	$\triangle C$ X2



Pin Out	5 Gray 4 Black 3 Blue 2 White 1 Brown	灰 黑 藍 白 棕
	Pin # Wire	
C1 & C2	<p>5P</p>	

$\triangle B$
MSBPXXFL-SBPFL-SBXXX

XX: No. Of Pin

XXX: 0.5~99Meters
 A05: 0.5 Meter
 1: 01 Meter
 2: 02 Meters
 :
 99: 99 Meters

Note: $\triangle B$ $\triangle C$

- * RoHS Compliant
- * \varnothing Important dimension
- * Waterproof rate: IPX8, mated 1m/24h
IPX9K, mated
- * Connector:
 Housing: Thermoplastic, Black
 Pin: Copper alloy, Gold plated
 O-Ring: Rubber, Green
 Nut: Thermoplastic, Black
 Outer mold: Thermoplastic, Black
- * Cable: UL20549, 22#5C, OD=4.4mm, PUR Jacket, Black
- * Cable length tolerance:

0.5M < L ≤ 1M:	+60/-0 mm
1M < L ≤ 3M:	+120/-0 mm
3M < L ≤ 5M:	+160/-0 mm
5M < L ≤ 10M:	±100 mm
10M < L ≤ 20M:	±200 mm
20M < L ≤ 30M:	±300 mm
30M < L ≤ 99M:	±500 mm

Pin Assignments Front View

UNIT:mm TOLERANCE ± 0.5 mm	TITLE ACC, SEN, B Code, DB-ENDED FF		<h1>Amphenol LTW</h1> <p>安費諾亮泰企業股份有限公司</p>	ITEM NO	DRAWN BY Ruru	DATE 2018-12-07		
	SCALE 1:2	SIZE A4		SHEET 1	OF 1	DWG NO $\triangle B$ MSBPXXFL-SBPFL-SBXXX	CHECKED BY Rita	DATE 2018-12-07
	REV. C	WC-REV.		\varnothing : Inspection item		CUSTOMER ALTW	APPROVED BY Max	DATE 2018-12-07