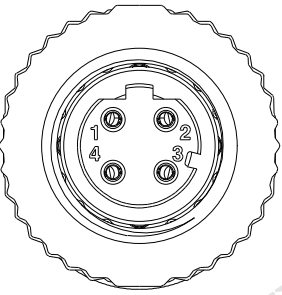
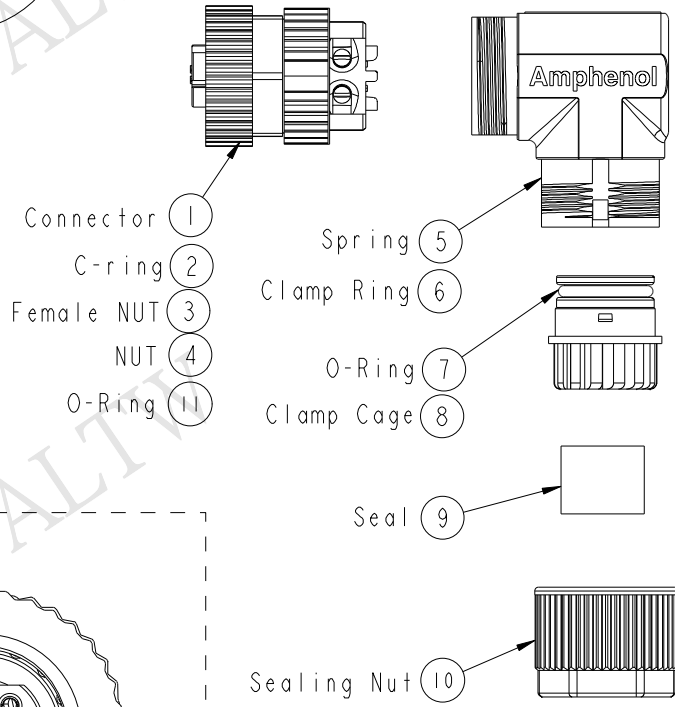


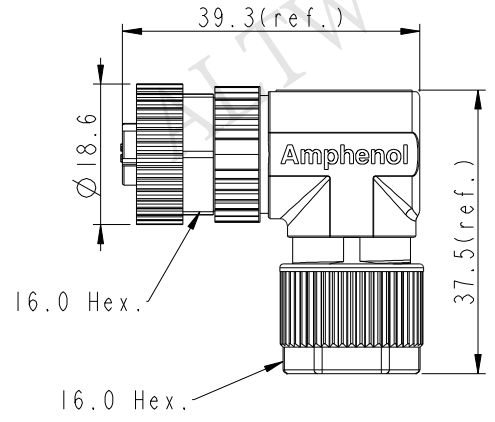
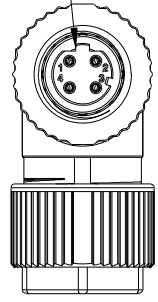
REV.	ECN NO.	DATE	SIGN	DESCRIPTION
A	Initial Release	2015/10/13	Mila	Change Rev.01 To Rev.A

ALTW
CONFIDENTIAL
2015-10-13
R&D DEPT.

360° Adjustable Key Code Direction



Pin Assignments
 Front View



ALTW
DCC. DEPT.
CONFIDENTIAL
2015.10.28
ISSUED

UNIT:mm		
TOLERANCE		
±0.5mm		

TITLE M12 D-Code 90° Shielded Assy 4Pin F Conn. F Pin			
SCALE 1:1	SIZE A4	SHEET 1 OF 2	
REV. A	WC-REV. A.1	QC: Inspection item	

Amphenol LTW
 安費諾亮泰企業股份有限公司

ITEM NO. MSDS-04BFFB-SR7001	DRAWN BY Mila	DATE 2015-10-13
DWG NO. MSDS-04BFFB-SR7001	CHECKED BY Cary	DATE 2015-10-13
CUSTOMER ALTW	APPROVED BY Jerry	DATE 2015-10-13

THIS DOCUMENT IS SUBJECT TO CHANGE WITHOUT NOTICE. IT IS CONFIDENTIAL AND A PROPERTY OF Amphenol LTW. DISCLOSURE TO THIRD PARTY HAS TO BE AUTHORIZED BY Amphenol LTW.

M SDS - 04 B F F B - S R 7 001

SDS: D-Code Shielded

001: Without Cable

04: 4Pin

7: IP67 (防水等級67)

R: Right (90°)

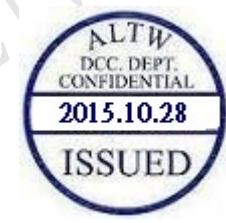
B: Without S/R (無網尾)

S: Screw (螺紋式)

F: Female Connector (母座)

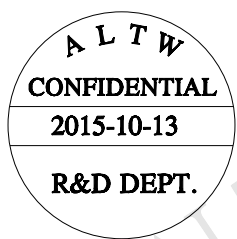
B: Screw in Type (組裝式)

F: Female Pin (母Pin)



Note:

- * \varnothing Important Dimension To Check.
- * Waterproof Rate: IP67 (Mated)
- * Housing: Nylon, Black
- * Clamp Cage: Nylon, Black
- * Female Pin: Copper Alloy, Gold Plated
- * Female Nut: Zinc Alloy, Nickel Plated
- * Nut: Zinc Alloy, Nickel Plated
- * O-Ring: Silicon, Grey
- * Clamp Ring: Zinc Alloy, Nickel Plated
- * Sealing Nut: Zinc Alloy, Nickel Plated
- * Seal: Silicon, Grey
- * Seal For Cable OD: $\varnothing 4.0\text{mm} \sim \varnothing 7.0\text{mm}$
- * Screws for Wire connection recommended
tightening torque: 0.61~0.84 kgf.cm / 0.059~0.082 N.m
- * Applicable Wire gauge (Stranded wire cross section)
0.14mm² (26AWG) ~ 0.82mm² (18AWG)
- * Mating Recommended tightening torque:
3~4 kgf.cm / 0.29~0.39 N.m
- * Sealing-Nut Recommended tightening torque:
4~6 kgf.cm / 0.39~0.59 N.m
- * Detailed applicable wire specifications may vary
depending on the actual wire construction.



UNIT: mm		
TOLERANCE		
±0.5mm		

TITLE M12 D-Code 90° Shielded Assy 4Pin F Conn. F Pin			
SCALE 1:1	SIZE A4	SHEET 2 OF 2	
REV. A	WC-REV. A.1	\varnothing : Inspection item	

Amphenol LTW
安費諾亮泰企業股份有限公司

ITEM NO MSDS-04BFFB-SR7001	DRAWN BY Mila	DATE 2015-10-13
DWG NO MSDS-04BFFB-SR7001	CHECKED BY Cary	DATE 2015-10-13
CUSTOMER ALTW	APPROVED BY Jerry	DATE 2015-10-13